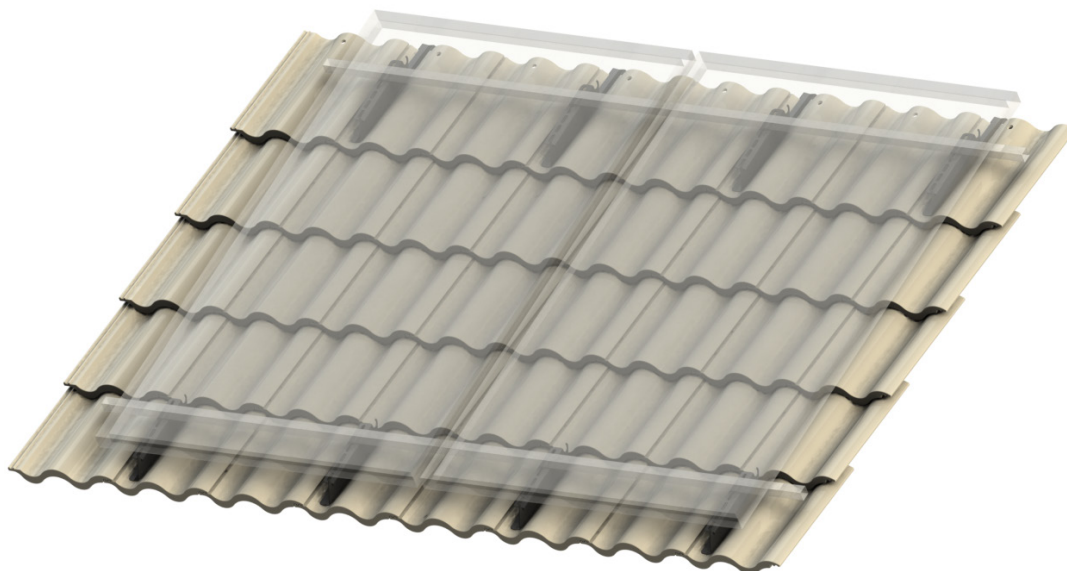


MAFI 91167

MSS

Roof Tile Bracket



About the Product

Designed to be screwed to roof battens to allow for mounting of self supported solar panels on curved roof tiles.

Flexibility

Profiled to follow the shape of a curved roof tile to enable mounting without having to grind on, or to displace, the tiles. The bracket has a versatile equipment hole pattern and a feature for temporary support that enables easy installation. Fixing possibility for Ø20 mm electrical routing tube is intergrated in the bracket. The bracket is made from galvanized high strength steel.

How to Order

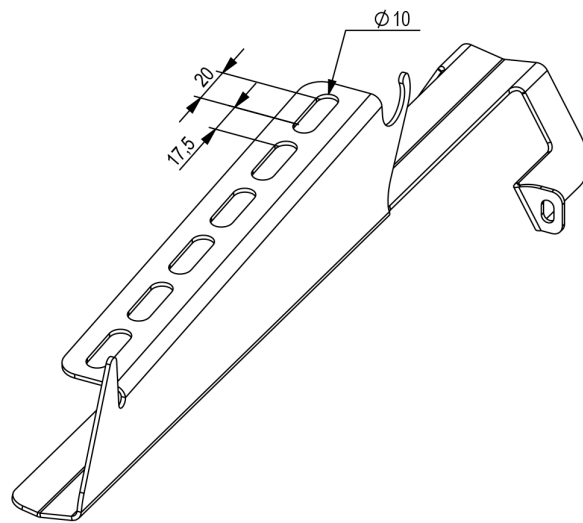
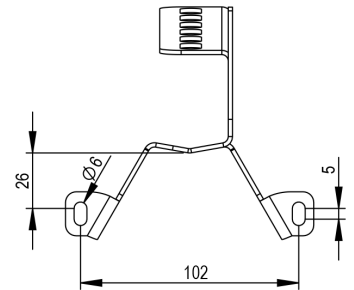
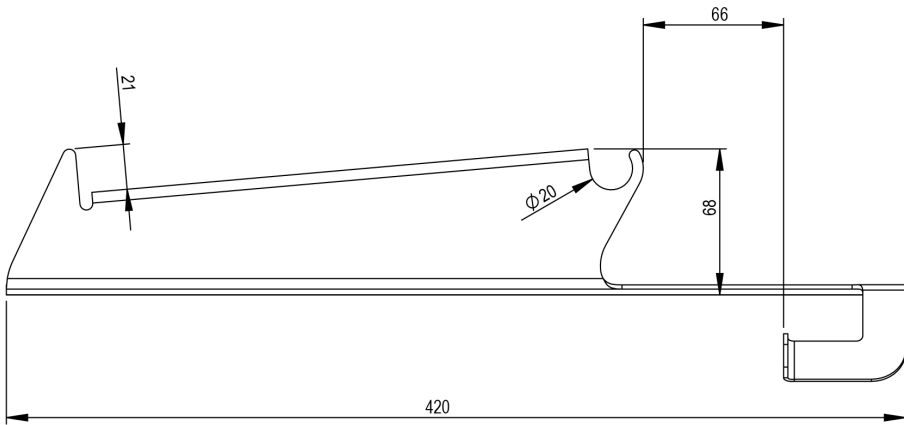
To order, please contact MAFI quoting article number:

MAFI 91167

Please visit <https://www.mafigroup.com/how-to-order/> for regional contact information.



Measurements in millimeters



Content of kit



Performance

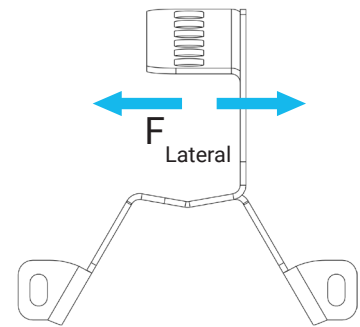
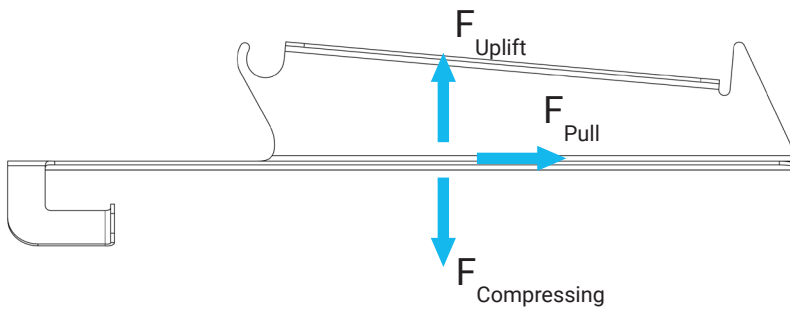
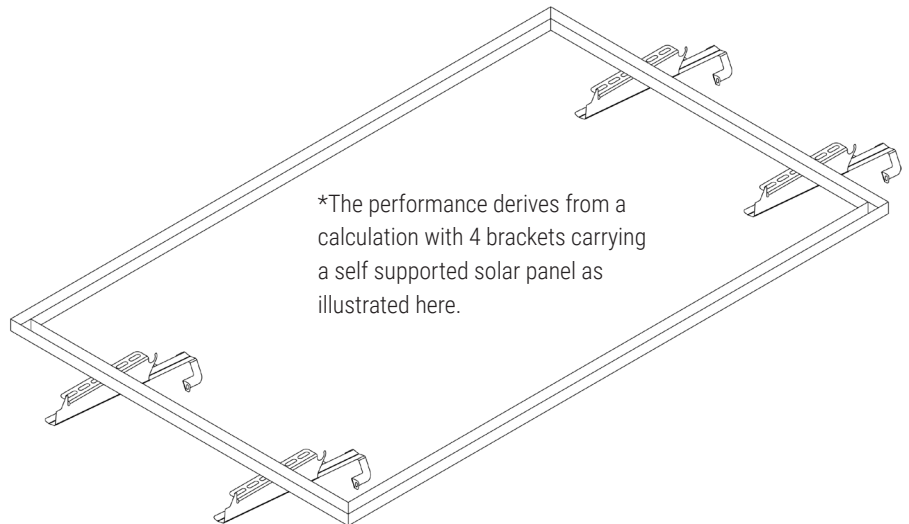
Ultimate load capacity* :

(F_{Uplift}): 125 N

(F_{Pull}): 750 N

($F_{Compressing}$): 1625 N

($F_{Lateral}$): 125N



Parts list

Part	Material	Quantity
Bracket	S550GD ZM	1

Package data

Length mm (in)	Width mm (in)	Height mm (in)	Weight kg (lb)
420 (16.54)	116 (4.57)	125 (4.92)	0.6 (1.32)

Product options



91167



EN 1090