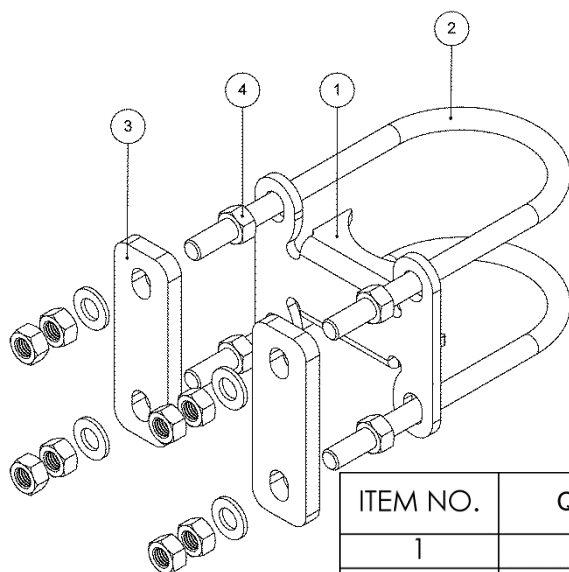


# Mounting Description 5320

## Package content



ITEM NO.	QTY.	Description
1	1	Clamp for crossover kit 76,1mm
2	2	Bag with U-bolt M12 C-C103mm, nuts and washers
3	2	Plate for crossover kit
4	4	Nut M12

## Mounting procedure

