

# MAFI 5110

## Cable tray RRU support

Installation equipment (not included)

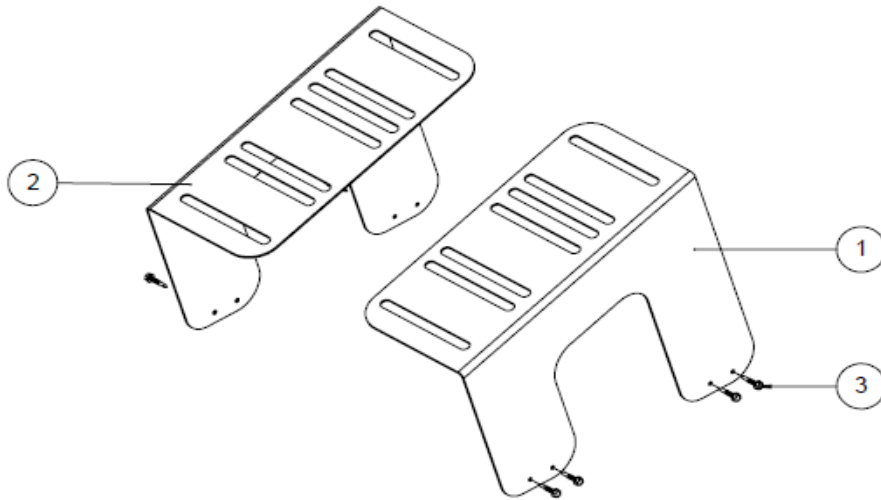
Key width



10 mm + RRU specific tool

**BE AWARE OF!**  
Local buildings permissions.  
Safety regulations and working regulations.

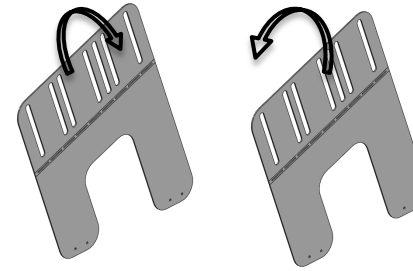
Number of persons: 1



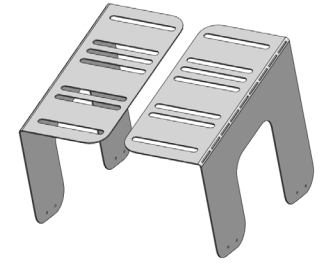
Part List MAFI No. 5110

| Pos     | QTY. | Description                 |
|---------|------|-----------------------------|
| 51101-1 | 1    | RRU cable tray holder sheet |
| 51101-2 | 1    | RRU cable tray holder sheet |
| 9734    | 8    | Self tapping screw          |

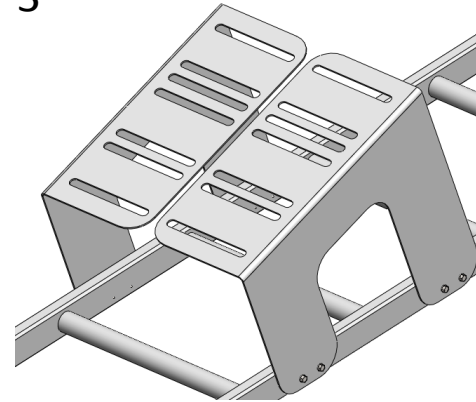
1



2



3



4

