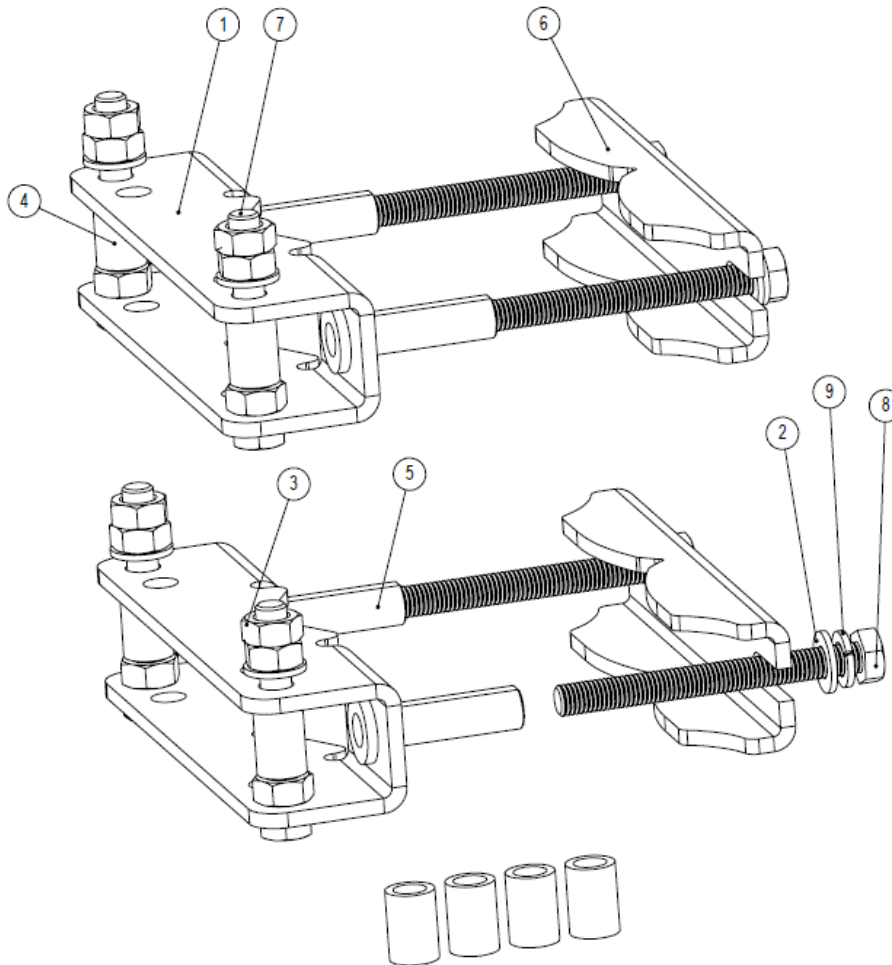


## Package content MAFI 5002



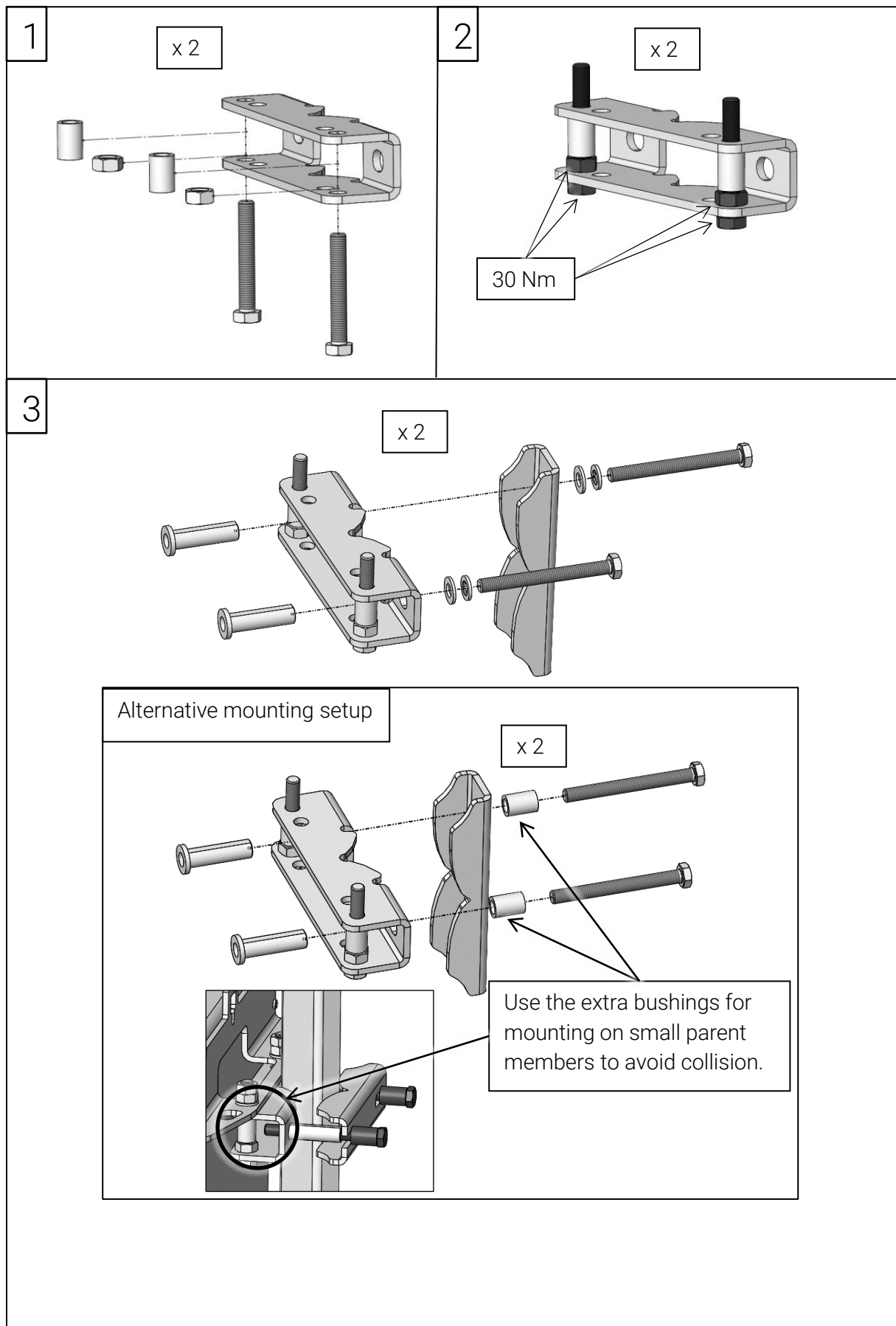
ISO standard tools (Not included):  
Wrench: M10

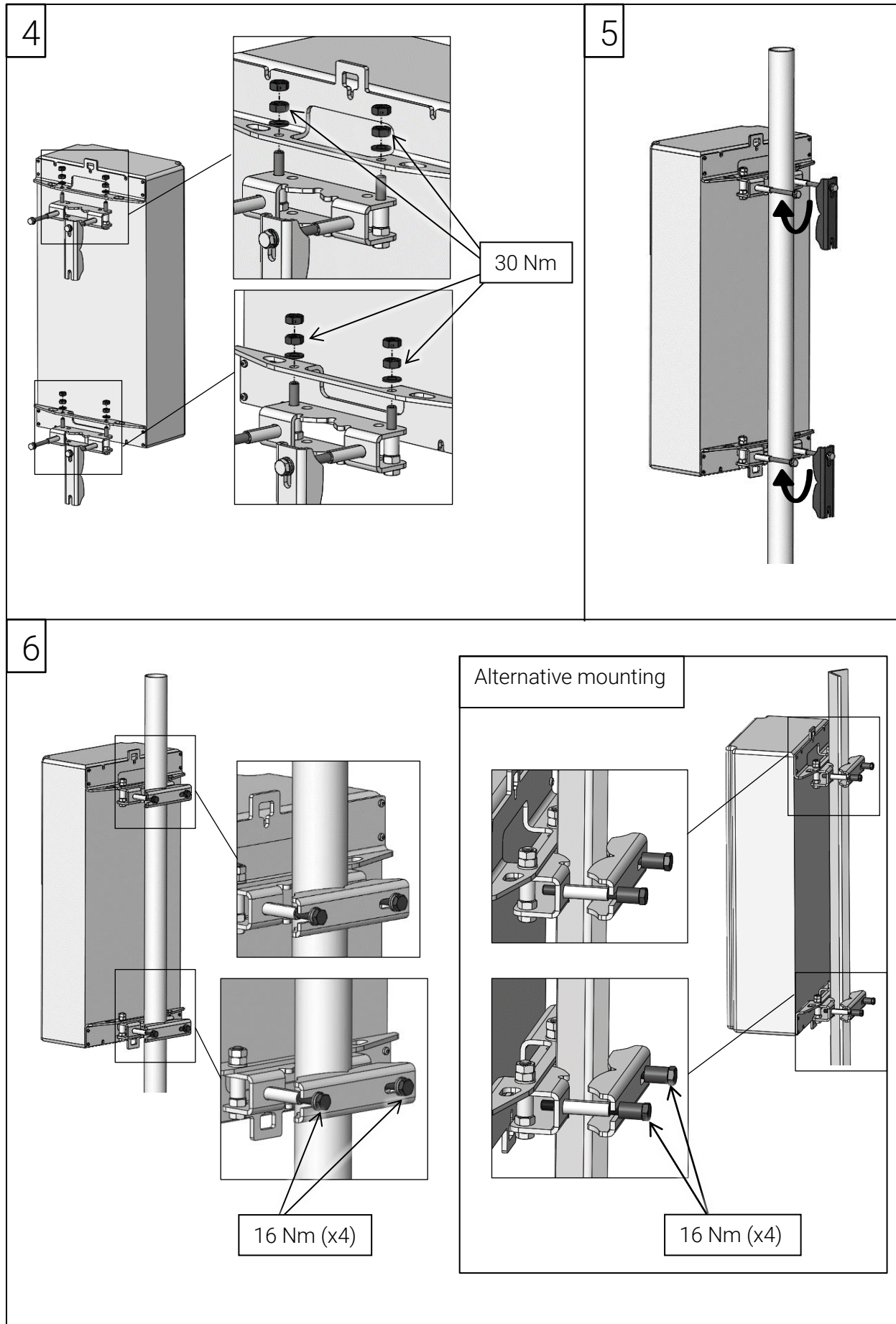
Pos.		Description
1	2	Bracket
2	8	Washer 10.5 x 20 x 2
3	12	Nut M10
4	8	Bushing M10 x 23 mm
5	4	Bushing nut M10 x 50
6	2	Clamp
7	4	Bolt M10 x 70H
8	4	Bolt M10 x 100H
9	4	Spring washer 10.2 x 18.1 x 2.2

Follow local building regulations and instructions and ensure use of approved fasteners. MAFI AB, the product manufacturer, does not warrant other than the product during mounting onto roof or other similar assemblies.

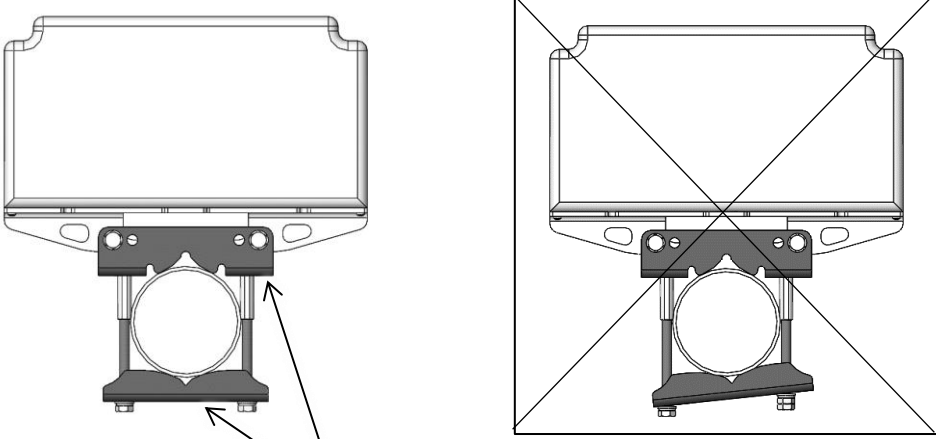
The tightening torques recommended in this mounting description presupposes bolts and nuts in delivery state. Nuts are to be lubricated before assembling. Check that the supporting structure can safely carry the loads applied to it by the MAFI product.

Mounting procedure





7



The diagram illustrates the correct and incorrect ways to align a bracket and clamp. On the left, a correct assembly is shown with a bracket and clamp aligned. On the right, an incorrect assembly is shown with a bracket and clamp misaligned, indicated by a large 'X' over the image. A callout box with an equals sign points to the alignment points of the bracket and clamp.

Make sure that bracket & clamp are aligned after tightening (x2).