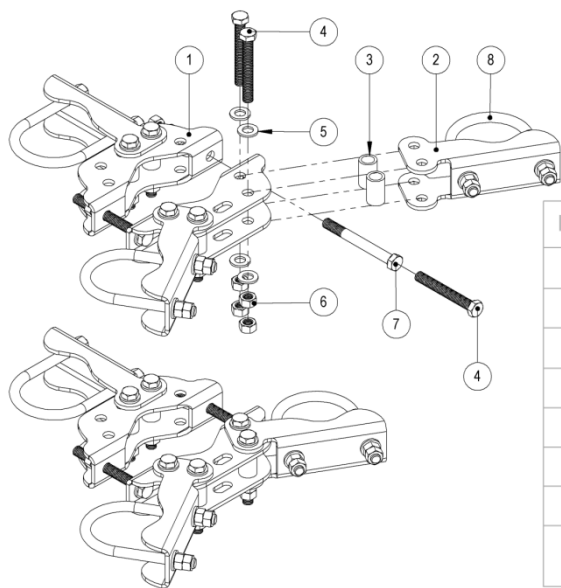


Mounting Description 4415

Package content



ITEM NO.	QTY.	Description
1	4	Clamp
2	6	Offset arm, short
3	12	Spacer bushing
4	16	Screw M12x90H
5	32	Washer 13x24x2,5
6	32	Nut M12
7	4	Bolt M12X110
8	6	U-bolt M12 C-C 92mm, Nuts and washers

The tightening torques recommended in this mounting description presupposes bolts, threaded rods and nuts in delivery state. Nuts are to be lubricated before assembly.

Mounting procedure

<p>1</p> <p>Pos. 4 for tubes \varnothing 76-101mm Pos. 7 for tubes \varnothing 114mm</p>	<p>2</p>
<p>3 Repeat steps 1 and 2</p> <p>Tighten nuts to 80Nm</p>	<p>4</p> <p>Tighten nuts to 80Nm</p>

Mounting Description 4415

