

MAFI 4409

MSS

Free Stander Medium

Incl. parent member



About the Product

Ballast supported structure for light and medium equipment.
Equiped with a 1,5m long Ø76,1mm tube and has a ballast capacity of 160kg.

Product Options

42071: Concrete slabs as ballast weight.

How to Order

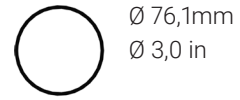
To order, please contact MAFI quoting article number: **4409**

Please visit <https://www.mafigroup.com/how-to-order/> for regional contact information.

Content of kit 4409

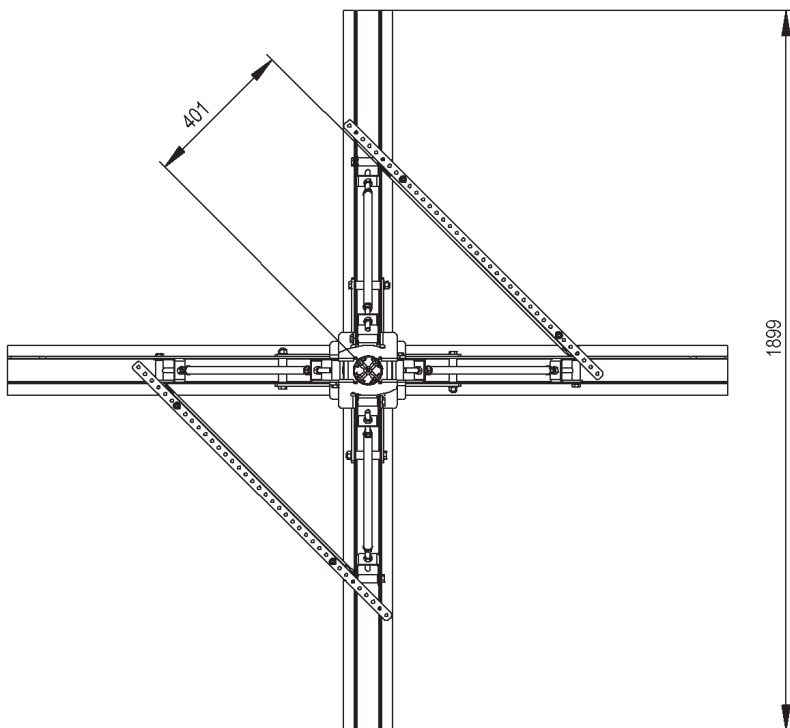
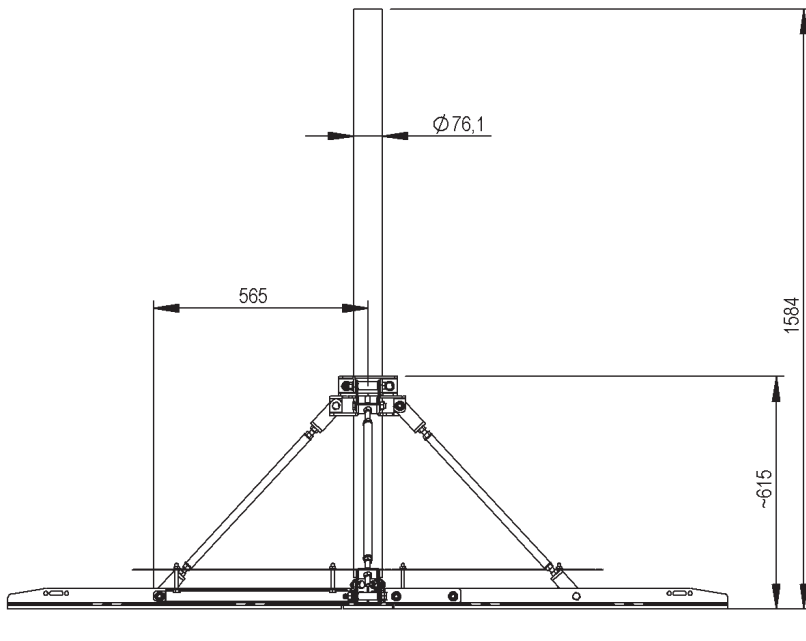


Measurements in mm

Parent member

Performance

Maximum overturning: 1400 Nm



Design resistance data

The load limits given in this data sheet apply to the MAFI product only. The designer should always check that the supporting structure can safely carry the loads applied to it by the MAFI product.

Overtipping moment

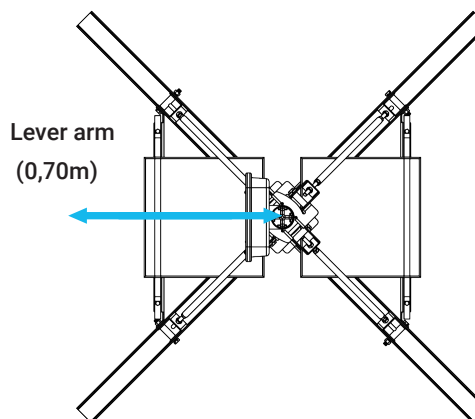
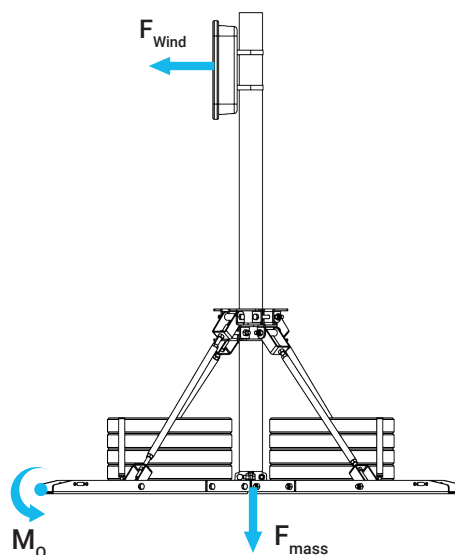
For this freestanding structure the critical dimensioning parameter is the ability to resist overturning. The figures in the overturning moment table need to be higher than the moment applied by the design wind loads (i.e ultimate load including load factors) acting on the pole and the supported equipment.

The roof structure should be checked by an engineer to confirm that it can withstand the total weight of the structure. Also it should be confirmed that the friction between the product's rubber mat and the roof is enough to prevent sliding.

Custom calculations

For custom calculations regarding design resistance for overturning, use the formula and the table below. The maximum allowed ballast stated on previous page and overturning moment in table below is not to be exceeded.

$$M_o = ((\text{Ballast weight} + 45,0) \times 9.81) \times 0,7$$



Parts list

| Part | Material | Quantity |
|-------------------|--------------------|----------|
| Leg profile | S355MC HDG | 4 |
| Center cross part | S355MC HDG | 4 |
| Strut fixing | S355MC HDG | 8 |
| Strut clamp | S355MC HDG | 4 |
| Ballast support | S355MC HDG | 2 |
| Strut tube | S355MC HDG | 4 |
| Tube | P235TR1 HDG | 1 |
| Bushings | S355MC HDG | 16 |
| Fasteners | 8.8 HDG | Incl. |
| Rubber mat | Cellpolyeten RG100 | 4 |

Package data

| Product | Length mm (in) | Width mm (in) | Height mm (in) | Weight kg (lb) |
|---------|-------------------|------------------|-------------------|-------------------|
| 4409 | 360 (14.2) | 120 (4.8) | 130 (5.2) | 47.1 (103.8) |



EN 1090