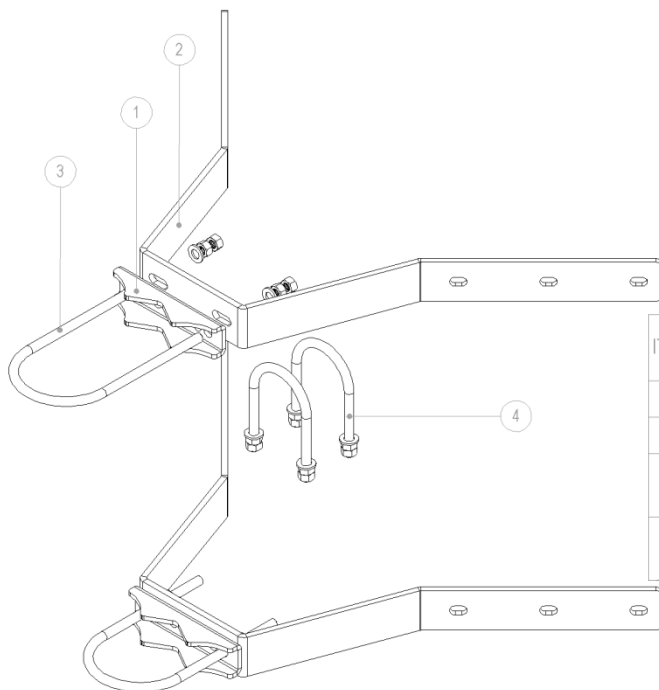


Mounting Description 43692

Package content

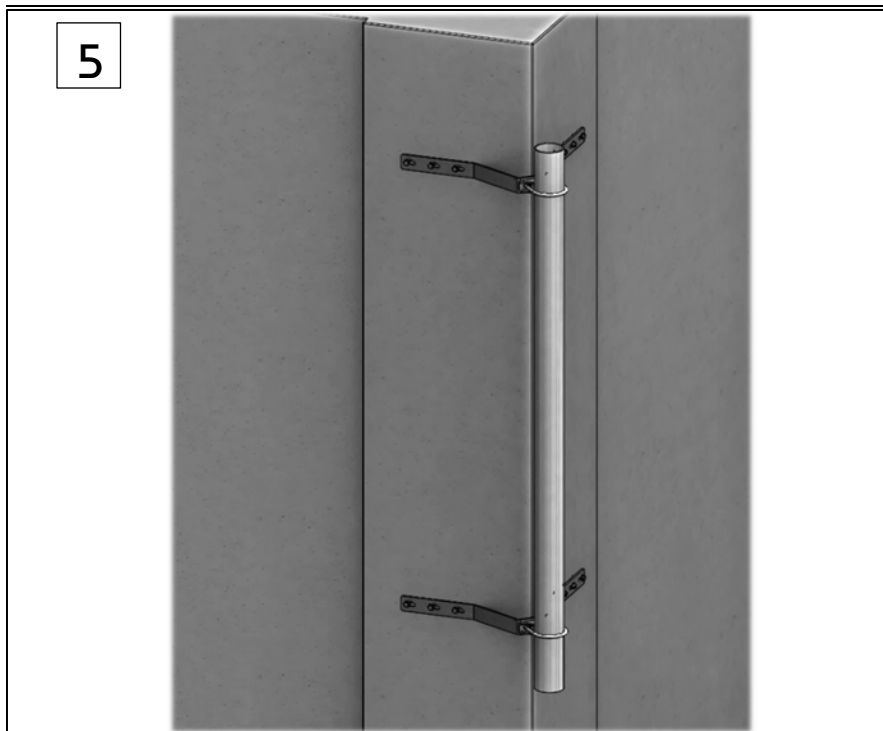


ITEM NO.	QTY.	Description
1	2	Clamp C-C 62-145 FZV
2	2	Corner wall mount bracket
3	2	U-bolt M12 C-C130mm, with nuts and washers
4	2	U-bolt M12 C-C 92mm, Nuts and washers


Mounting procedure

<p>1</p> <p>X2</p>	<p>2</p> <p>X2</p> <p>⚠</p>
<p>3</p> <p>>80mm</p> <p>For tubes < 89mm use pos.4</p>	<p>4</p> <p>X2</p> <p>Tighten: 31Nm</p>

Mounting Description 43692



The tightening torques recommended in this mounting description presupposes bolts, threaded rods and nuts in delivery state. Nuts are to be lubricated before assembly.

 Follow local building regulations and instructions and ensure use of approved fasteners. MAFI AB, the product manufacturer, does not warrant other than the product during mounting onto wall, roof or other similar assemblies.