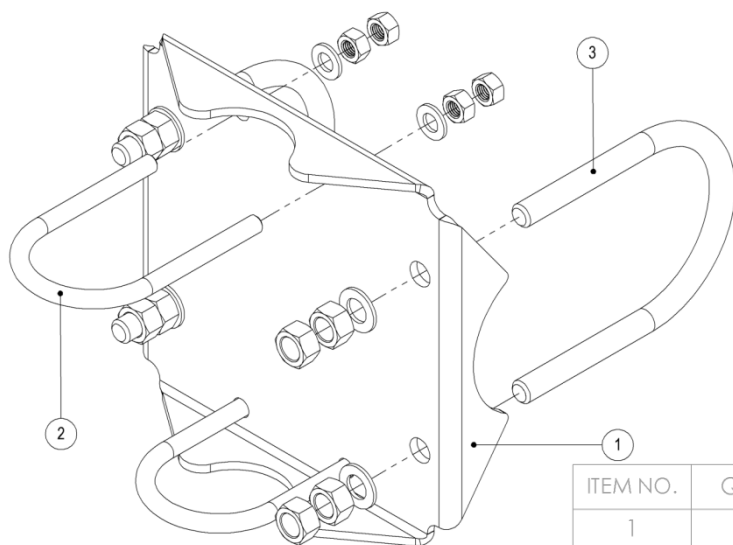


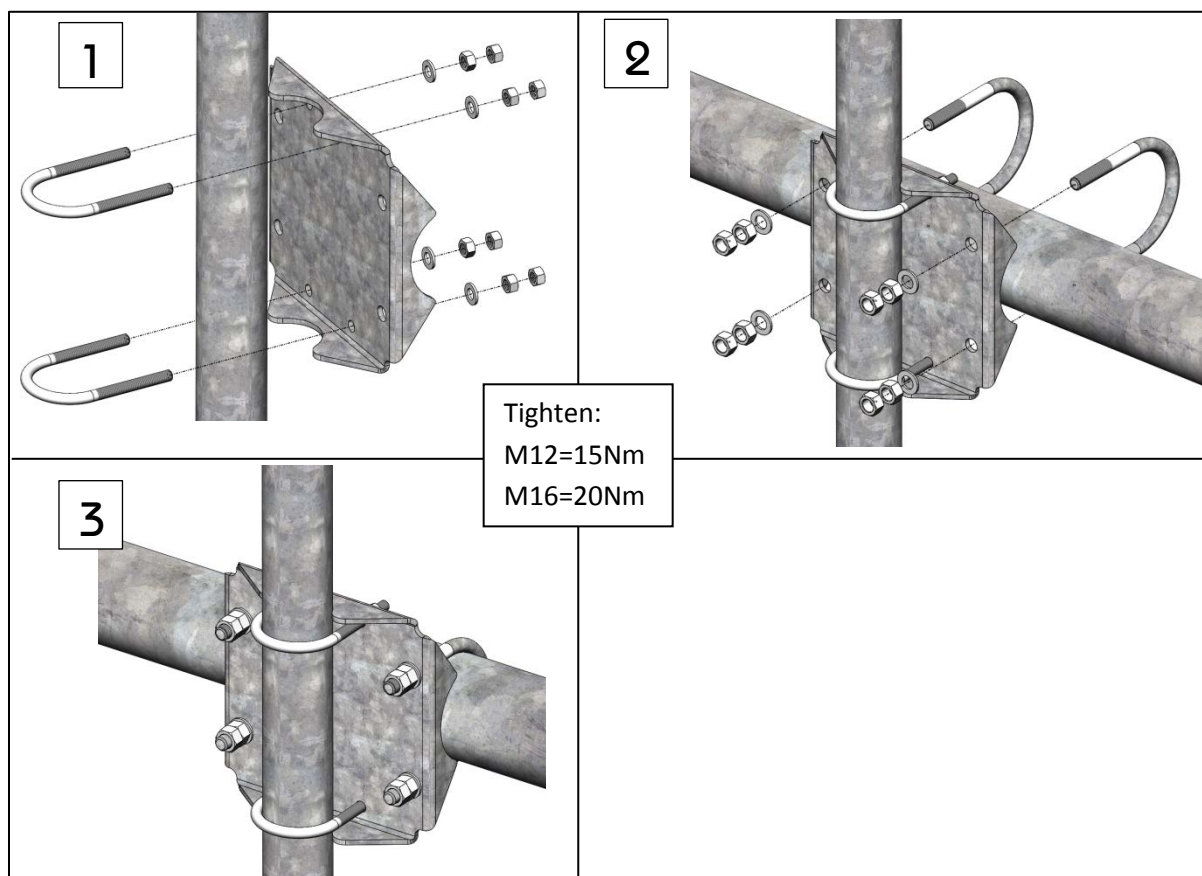
# Mounting Description 43248

## Package content



ITEM NO.	QTY.	Description
1	1	Combiclamp 114-76mm
2	2	U-bolt M12 C-C 92mm, Nuts and washers
3	2	U-bolt C-C 134 M16 A4 with nut and washers 8.8 FZV

## Mounting procedure



The tightening torques recommended in this mounting description presupposes bolts, threaded rods and nuts in delivery state. Nuts are to be lubricated before assembly.