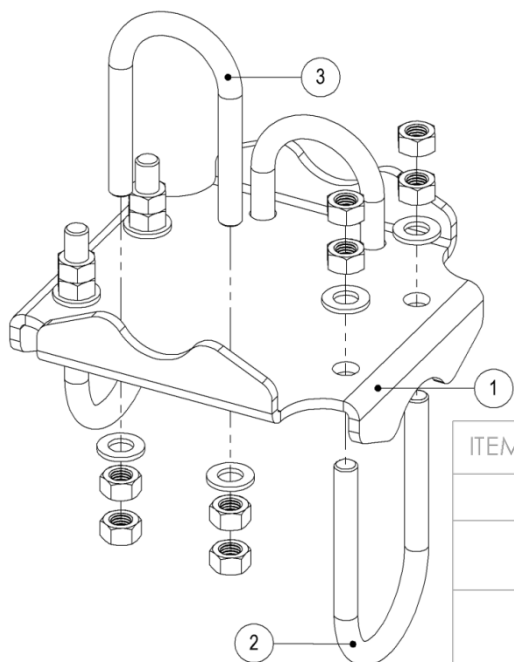


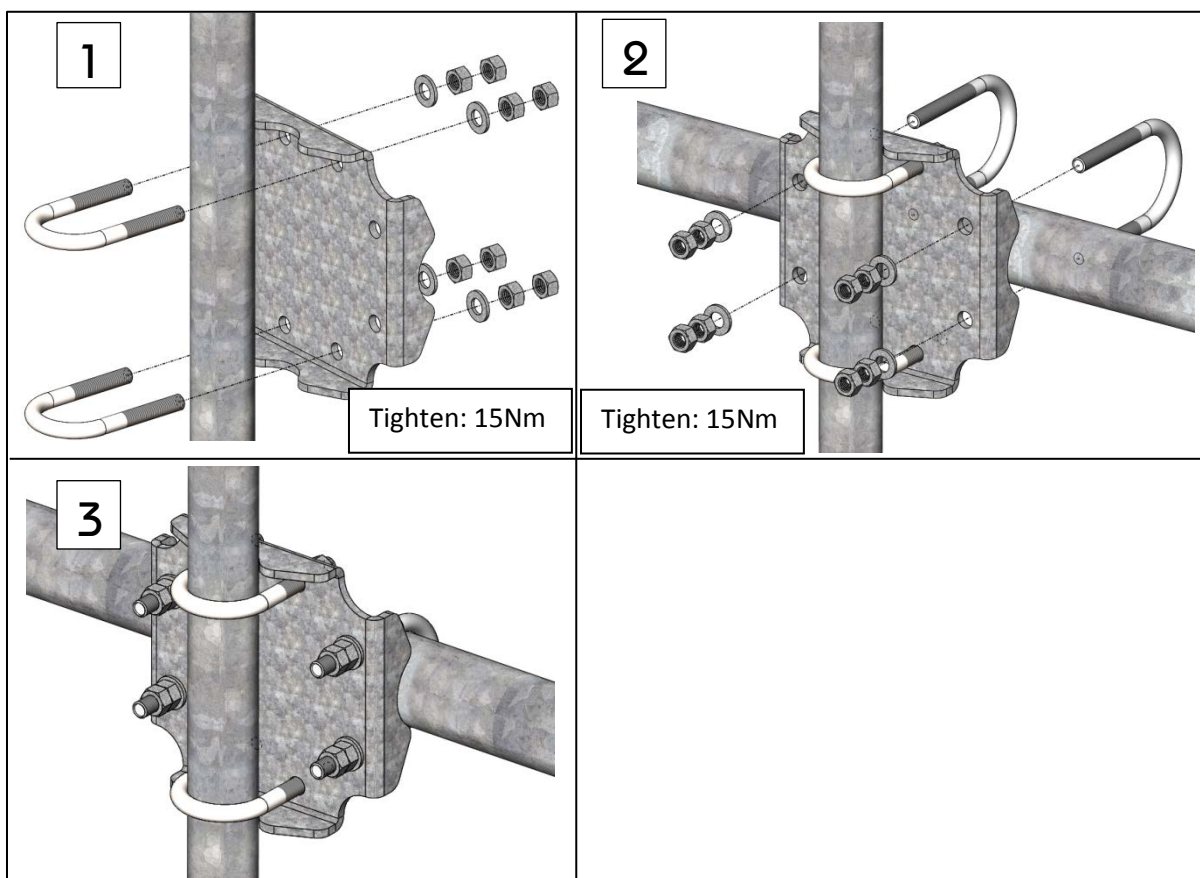
Mounting Description 43246

Package content



ITEM NO.	QTY.	Description
1	1	Combiclamp bracket 48-60mm
2	2	U-BOLT M12 C-C76MM, NUT, WASHER
3	2	Bag with U-bolt M12 CC-62 Nut & washer

Mounting procedure



The tightening torques recommended in this mounting description presupposes bolts, threaded rods and nuts in delivery state. Nuts are to be lubricated before assembly.