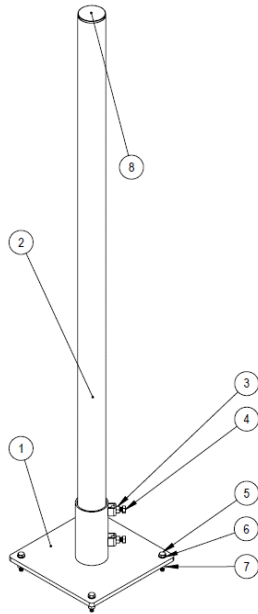
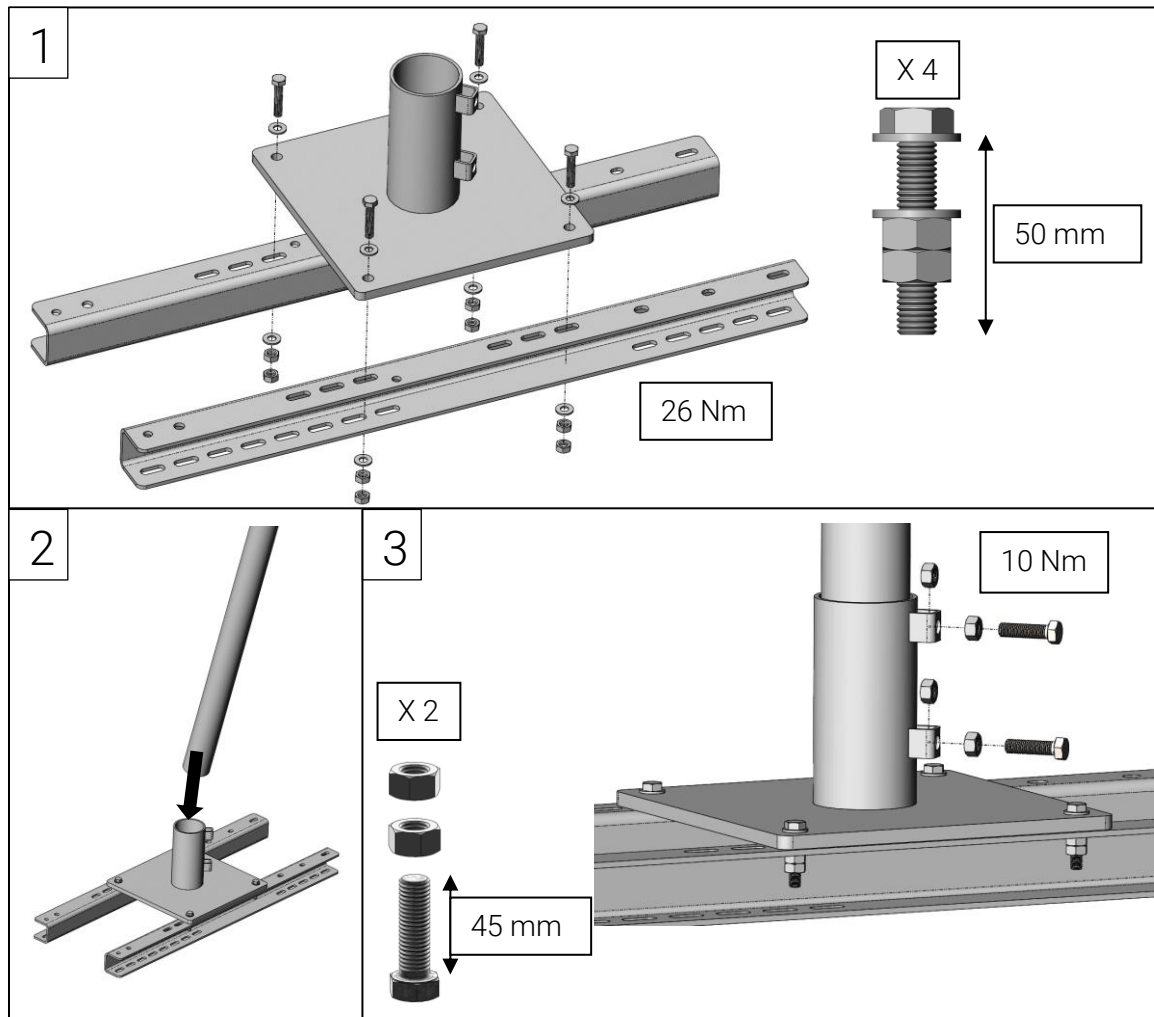


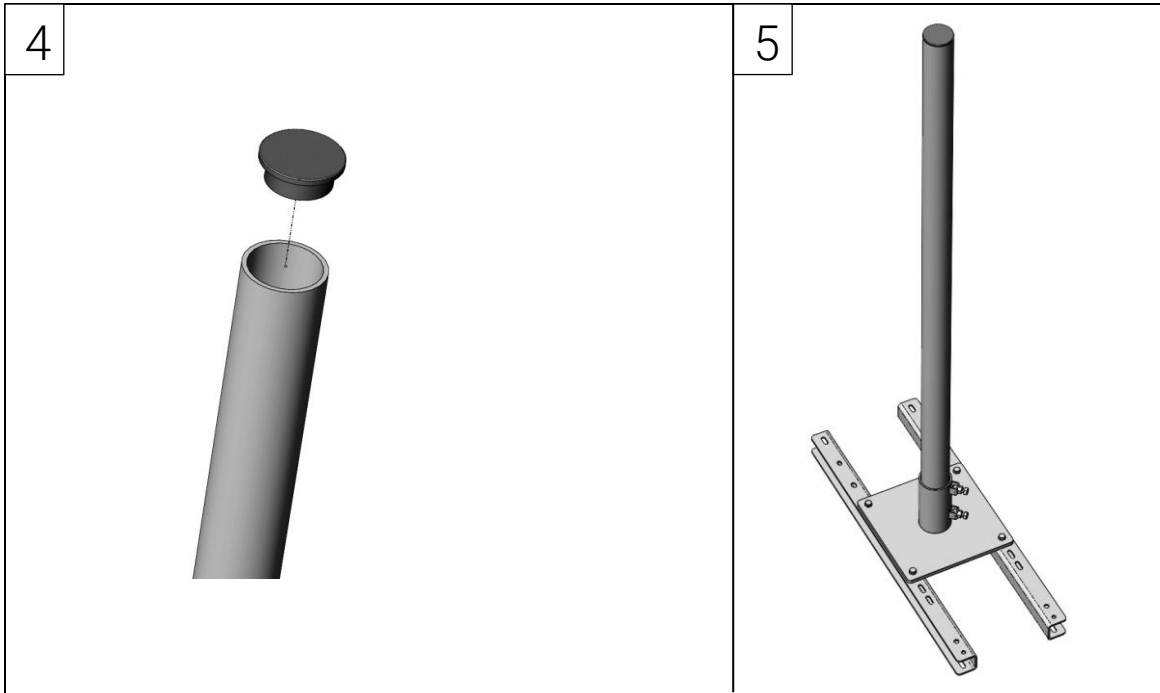
Package content SXA 129 7643/1 (MAFI 4316)



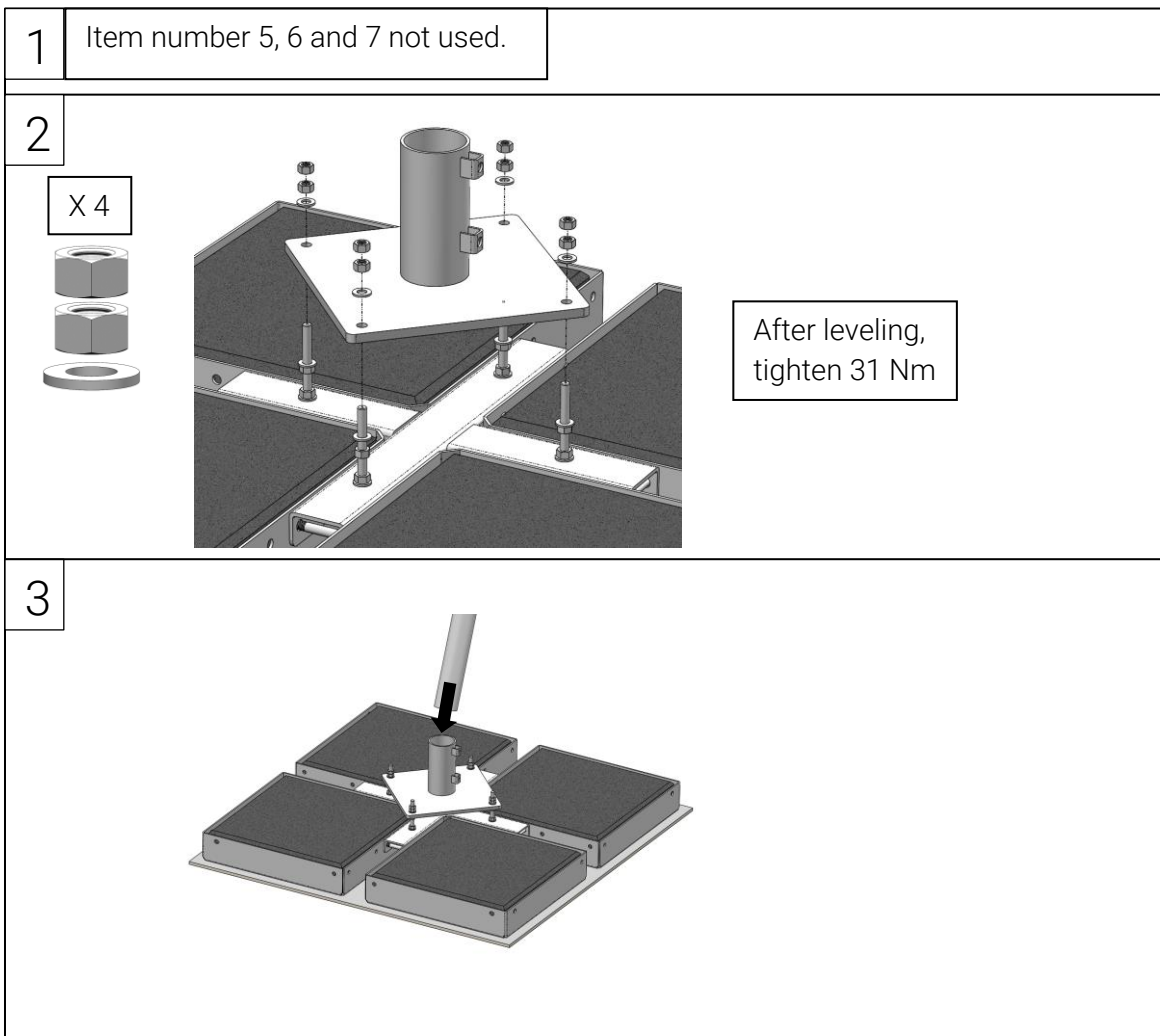
ITEM NO.	QTY	Description
1	1	Foot for base system FZV
2	1	Galvanized tube
3	4	Nut M12
4	2	Bolt M12x45
5	4	Screw M10x50H
6	8	Washer 10.5x20x2
7	8	Nut M10
8	1	Top Hat

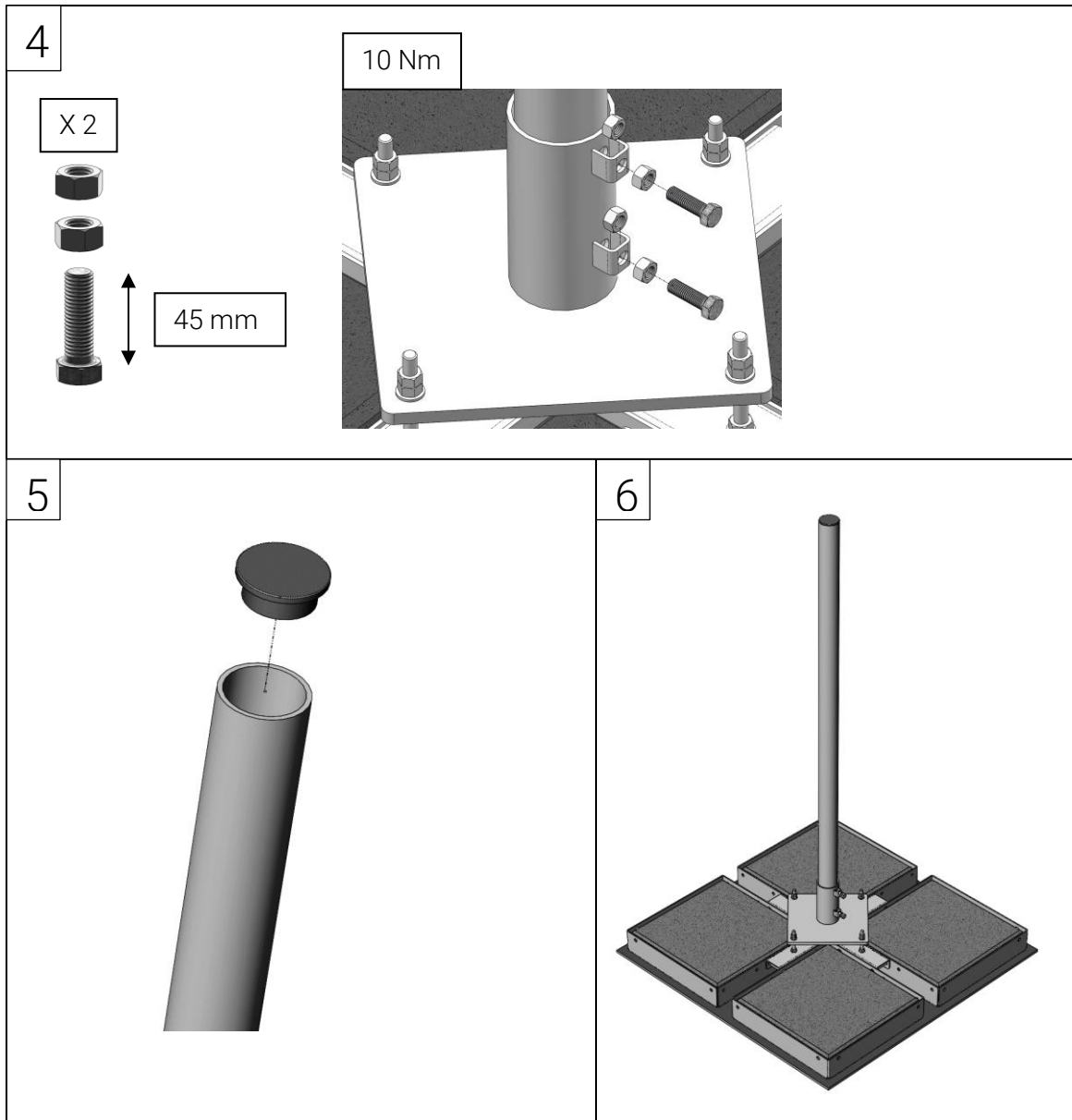
Mounting procedure on beams:





Mounting procedure on free stander:





Follow local building regulations.

The tightening torques recommended in this mounting description presupposes bolts, threaded rods and nuts in delivery state. Nuts are to be lubricated before assembly. Check that the supporting structure can safely carry the loads applied to it by the MAFI product.