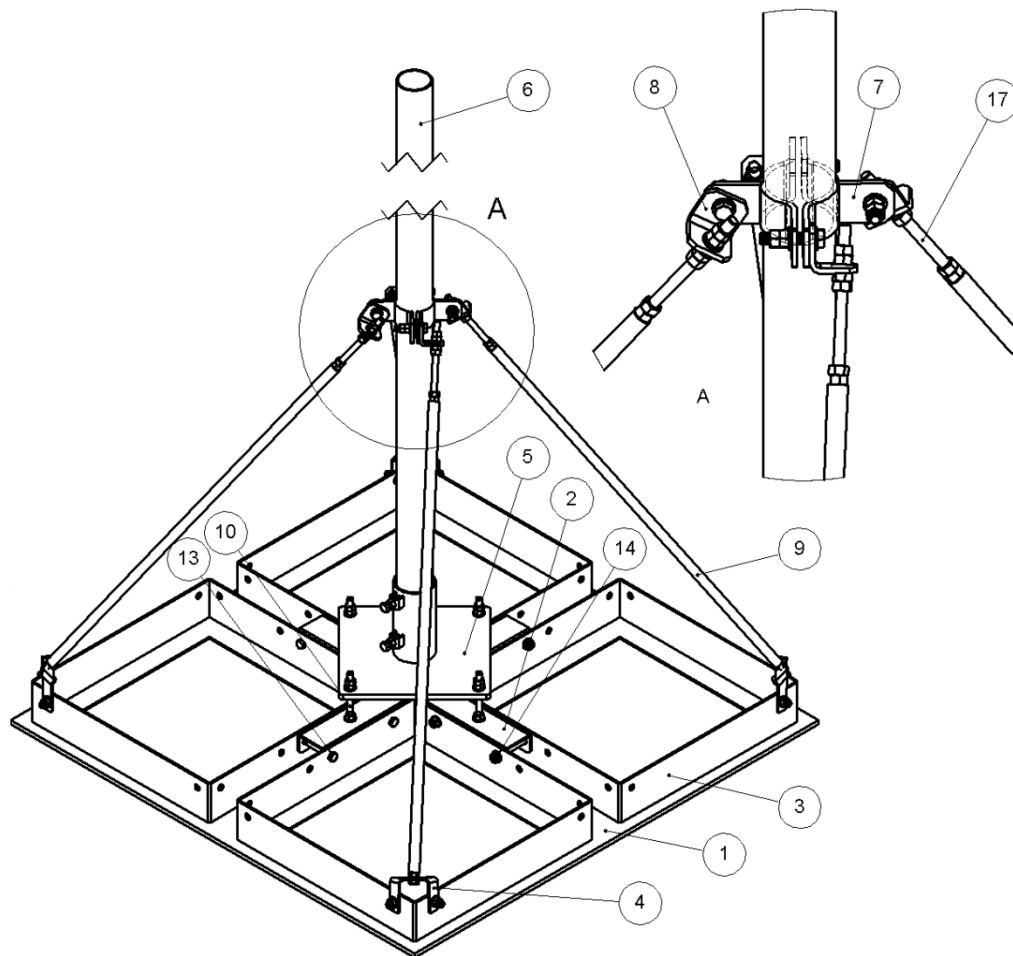


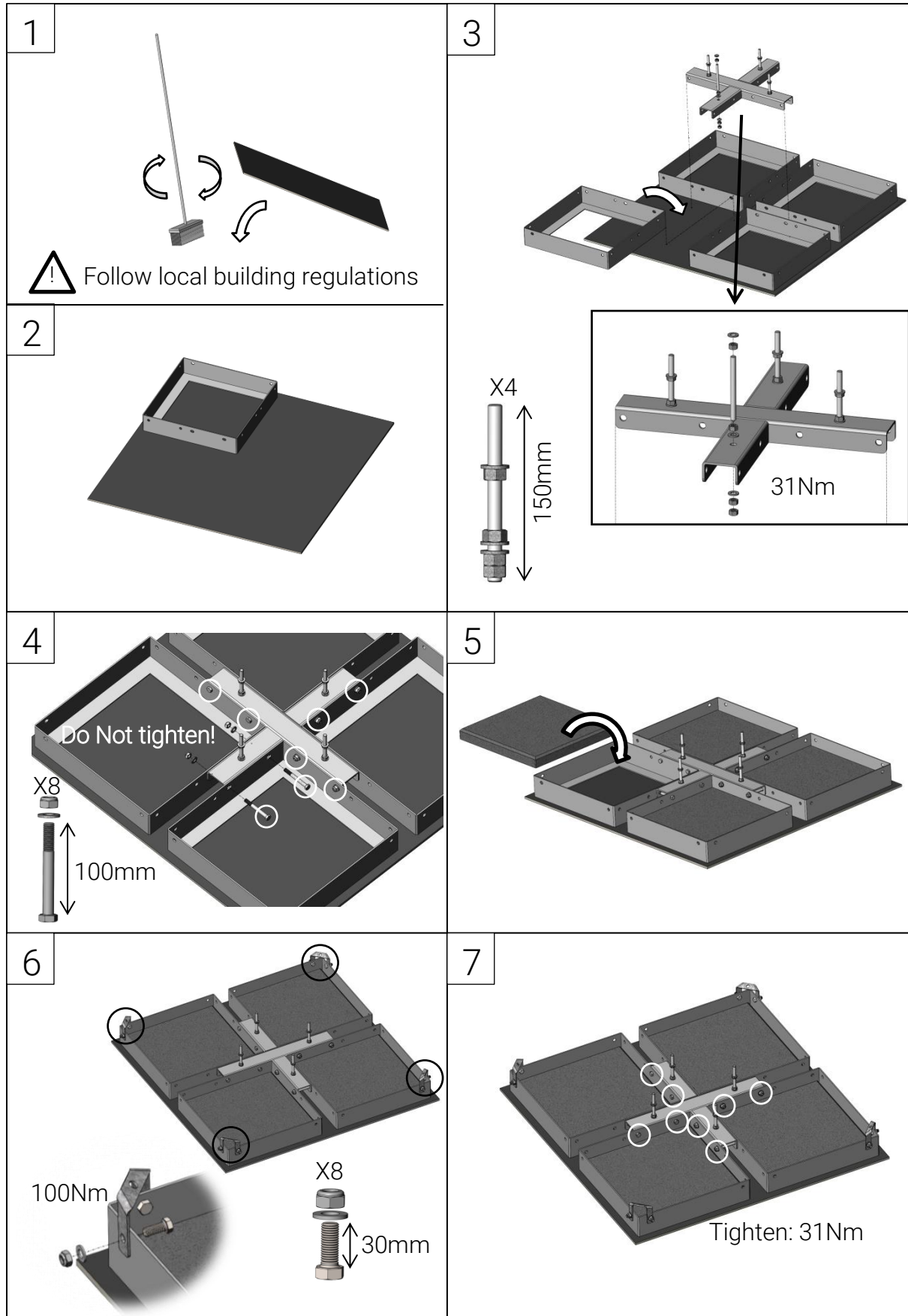
Package content



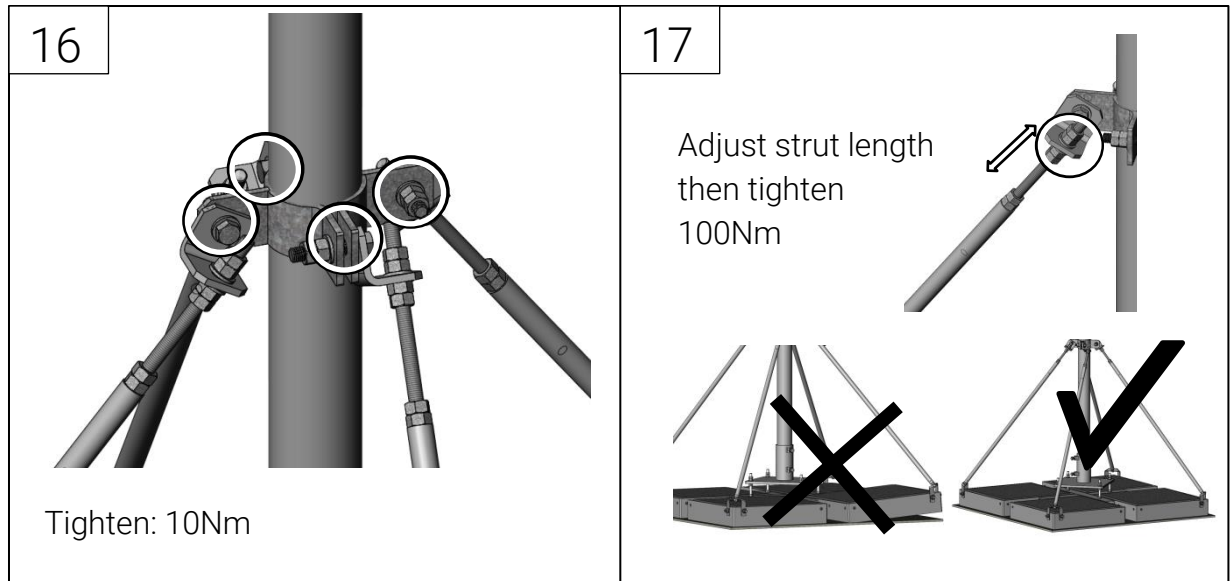
ITEM NO.	QTY.	Description	Article No.
1	1	Rubber mat	42102
2	1	Attachment cross	43151
3	4	Box for concrete FZV	43153
4	4	Strut holder	4422
5	1	Foot for base system FZV	43152
6	1	Tube 76,1x2,9 L= 3000 mm FZV	GT76129-30
7	2	Clamp D=70 with ear	2881
8	4	Angle S355MC FZV T=6mm	2330
9	4	Tube 21x3,25 L=1000 FZV SMS327 With welded M12 nut	43411
10	4	Whole threaded rod M12X150 8.8 FZV	2311
11	52	Washer M12 13x24 FZV	9506
12	56	Nut M12 8.8 FZV ISO	9293
13	8	Bolt M12x100 8.8 FZV ISO	9513
14	16	Locking nut M12 DIN985 A4	9461
15	12	Bolt M6S M12x30H 8.8 FZV	9485
16	4	Bolt M6S M12x45H 8.8 FZV	9466
17	4	Whole threaded rod M12X250mm 8.8 FZV	23121
18	2	Screw M6S M12x60H 8.8 FZV	9766

MAFI 43092 is delivered without tube, (item no 6).

Mounting procedure



<p>8</p>	<p>9</p> <p>X4</p> <p>After leveling, tighten 31Nm</p>
<p>10</p>	<p>11</p> <p>X2</p> <p>45mm</p> <p>Tighten: 10Nm</p>
<p>12</p> <p>X2</p> <p>60mm</p> <p>Do not tighten!</p>	<p>13</p> <p>X2</p> <p>45mm</p> <p>Do not tighten!</p>
<p>14</p> <p>X4</p> <p>250mm</p> <p>Do not tighten!</p>	<p>15</p> <p>X4</p> <p>30mm</p> <p>Tighten: 100Nm</p>



The tightening torques recommended in this mounting description presupposes bolts, threaded rods and nuts in delivery state. Nuts are to be lubricated before assembly.