

MAFI 4309*

Free Stander Medium

Designed to carry antennas and other equipment on places where a free standing structure is suitable.

Flexibility

This structure provides mounting opportunity without penetrating weatherproofing layers on rooftops. The ballast in the structure can be varied to suit the wind load and there's a lot of space for mounting equipment.

The equipment pole is horizontally adjustable up to 6° so that it always can be kept vertical.

Overturning moment

For this free standing structure the critical dimensioning parameter is the ability to resist overturning moment. The figures stated in "Performance" on the next page must be higher than the moment applied by the ultimate wind loads acting on the pole and the supported equipment.

The roof structure should be checked by an engineer to confirm that it can withstand the total weight of the structure. Also it should be confirmed that the friction between the free stander's rubber mat and the roof is enough to prevent sliding.

Additional Data

For package data see section **Package Data**.

Additional information for this product can be found at www.mafigroup.com, or use the QR-codes on next page.

How to Order

To order this kit, please contact MAFI quoting article number:

4309 or E-order number (SEG): **6062564**

43091

43092 or E-order number (SEG): **6062656**

Contact information can be found at www.mafigroup.com.



4309 with 1 layer option 42071



Content of kit 43091



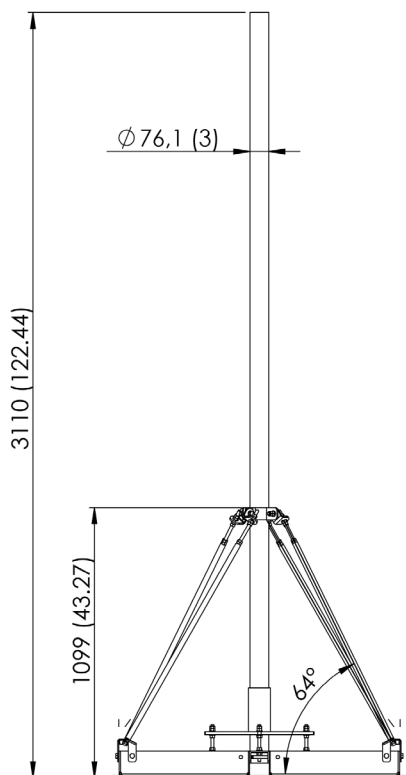
Content of kit 43092



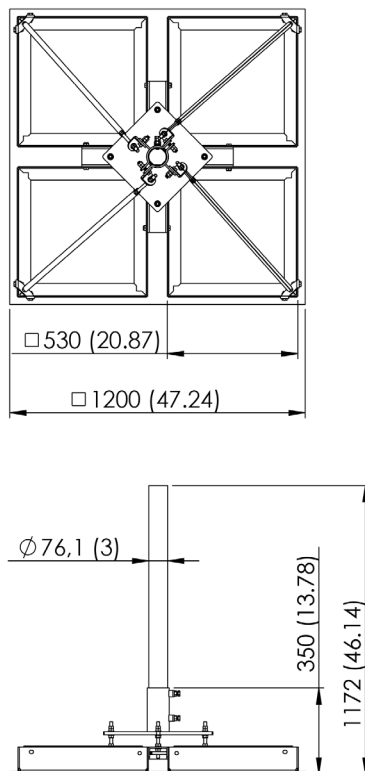
Content of kit 4309

Measurements in mm (in)

4309



4309/-1/-2



43091

Performance

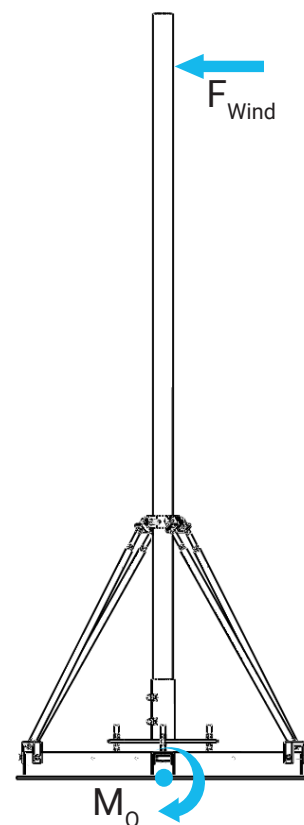
Tube thickness: 2.9 mm (0.1 in)

Maximum tilt: 6°

Maximum overturning moment (M_0) with 4 concrete blocks*: 1000 Nm

Maximum overturning moment (M_0) with 8 concrete blocks*: 1600 Nm

*Each concrete block must weigh at least 25 kg (55 lb).



Parts list

Part	Material	Quantity 4309	Quantity 43091	Quantity 43092
Pocket	S355MC HDG	4	4	4
Cross	S355MC HDG	1	1	1
Foot	S355MC HDG	1	1	1
Tube, 3 m (9.8 ft)	P235TR1 HDG	1	-	-
Tube, 1 m (3.3 ft)	P235TR1 HDG	-	1	-
Strut	S355MC/P235TR1 HDG	4	-	4
Protective mat	Polyethylene	1	1	1
Fasteners	8.8 HDG	Incl.	Incl.	Incl.

Product options

42071: Concrete block to increase ballast weight.

Tubes of various lengths can be ordered from MAFI.



4309



43091



43092

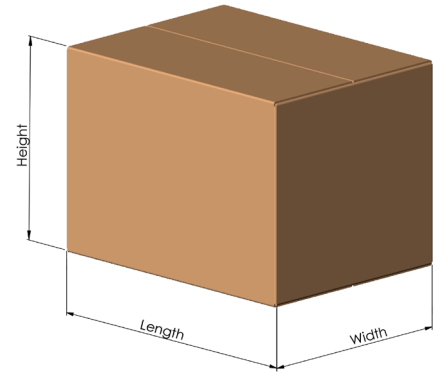


EN 1090

Package data

Package data

Product	Length mm (in)	Width mm (in)	Height mm (in)	Weight kg (lb)
1234	300 (11.8)	300 (11.8)	30 (1.2)	2.4 (5.3)
1236	200 (7.9)	50 (2)	50 (2)	0.5 (1.1)
1237	460 (18.1)	110 (4.3)	40 (1.6)	1.5 (3.3)
1241	200 (7.9)	180 (7.1)	140 (5.5)	2.9 (6)
1242	570 (22.4)	125 (4.9)	25 (1)	1.6 (3.5)
2230	1100 (43.3)	160 (6.3)	100 (3.9)	13.8 (30.4)
2231	2100 (82.7)	160 (6.3)	100 (3.9)	20.3 (44.8)
2232	3100 (122)	160 (6.3)	100 (3.9)	26.8 (59.1)
2233	1100 (43.3)	160 (6.3)	100 (3.9)	14.8 (32.6)
2234	2100 (82.7)	160 (6.3)	100 (3.9)	21.3 (47)
2235	3100 (122)	160 (6.3)	100 (3.9)	27.8 (61.3)
2414	385 (15.2)	295 (11.6)	200 (7.9)	17 (37.5)
3022	1040 (40.9)	170 (6.7)	95 (3.7)	21 (46.3)
3058	420 (16.5)	100 (3.9)	110 (4.3)	2.6 (5.7)
3115	250 (9.8)	150 (5.9)	100 (3.9)	4 (8.8)
3116	178 (7)	175 (6.9)	82 (3.2)	3.2 (7.1)
3117	280 (11)	180 (7.1)	120 (4.7)	6.2 (13.7)
3263	640 (25.2)	115 (4.5)	65 (2.6)	7.3 (16.1)
3265	640 (25.2)	150 (5.9)	70 (2.8)	7.5 (16.5)
3268	1050 (41.3)	170 (6.7)	65 (2.6)	12.1 (26.7)
3270	2000 (78.7)	160 (6.3)	160 (6.3)	40 (88.2)
3272	1050 (41.3)	170 (6.7)	65 (2.6)	19.4 (42.8)
3273	460 (18.1)	115 (4.5)	60 (2.4)	6.2 (13.7)
3274	410 (16.1)	110 (4.3)	50 (2)	5.8 (12.8)
3510	210 (8.3)	160 (6.3)	120 (4.7)	6 (13.2)
3541	385 (15.2)	300 (11.8)	90 (3.5)	4.9 (10.8)
3544	590 (23.2)	450 (17.7)	150 (5.9)	13.8 (30.4)
3610	440 (17.3)	280 (11)	80 (3.1)	12.1 (26.7)
3611	500 (19.7)	280 (11)	80 (3.1)	12.9 (28.4)
3612	500 (19.7)	280 (11)	80 (3.1)	11.2 (24.7)
3613	500 (19.7)	400 (15.7)	100 (3.9)	16.5 (36.4)
3614	440 (17.3)	400 (15.7)	100 (3.9)	17.5 (38.6)
3615	440 (17.3)	400 (15.7)	100 (3.9)	16.1 (35.5)
4019-2	360 (14.2)	230 (9.1)	90 (3.5)	5.8 (12.8)
4019-3	430 (16.9)	360 (14.2)	60 (2.4)	10.6 (23.4)
4019-4	810 (31.9)	260 (10.2)	60 (2.4)	11.5 (25.4)
4020	230 (9.1)	210 (8.3)	85 (3.3)	4.3 (9.5)
4036	405 (15.9)	105 (4.1)	100 (3.9)	5.7 (12.6)
4037	395 (15.6)	105 (4.1)	60 (2.4)	1.9 (4.2)



Package data

Product	Length mm (in)	Width mm (in)	Height mm (in)	Weight kg (lb)
4112	1200 (47.2)	800 (31.5)	340 (13.4)	122 (269)
4120	1130 (44.5)	310 (12.2)	130 (5.1)	16.7 (36.8)
4309	1200 (47.2)	800 (31.5)	340 (13.4)	111 (244.7)
4310	1200 (47.2)	800 (31.5)	340 (13.4)	65.7 (144.8)
4316	1850 (72.8)	350 (13.8)	230 (9.1)	27 (59.5)
4415	390 (15.4)	230 (9.1)	120 (4.7)	13.5 (29.8)
4418	390 (15.4)	275 (10.8)	120 (4.7)	15.3 (33.7)
4600	1250 (49.2)	350 (13.8)	350 (13.8)	65 (143.3)
4601	1750 (68.9)	350 (13.8)	350 (13.8)	105 (231.5)
4602	2300 (90.6)	350 (13.8)	350 (13.8)	137 (302)
5012	300 (11.8)	255 (10)	65 (2.6)	5.2 (11.5)
5013	265 (10.4)	240 (9.4)	65 (2.6)	4.4 (9.7)
5022	300 (11.8)	255 (10)	65 (2.6)	5.7 (12.6)
5023	265 (10.4)	240 (9.4)	65 (2.6)	4.4 (9.7)
5030	390 (15.4)	240 (9.4)	130 (5.1)	12.5 (27.6)
5031	260 (10.2)	230 (9)	75 (2.9)	8 (17.6)
5110	540 (21.3)	345 (13.6)	20 (0.8)	3.3 (7.3)
5310	150 (5.9)	110 (4.3)	40 (1.6)	2.8 (6.2)
5311	180 (7.1)	110 (4.3)	40 (1.6)	3.1 (6.8)
5312	180 (7.1)	110 (4.3)	40 (1.6)	3.1 (6.8)
5320	220 (8.7)	140 (5.5)	50 (2)	2.4 (5.3)
5321	250 (9.8)	150 (5.9)	50 (2)	2.7 (6)
6029	500 (19.7)	100 (3.9)	70 (2.8)	4.9 (10.8)
6030	215 (8.5)	155 (6.1)	70 (2.8)	1.5 (3.3)
7000	390 (15.4)	370 (14.6)	50 (2)	0.5 (1.1)
8051	1400 (55.1)	800 (31.5)	350 (13.8)	86 (189.6)
8057	1400 (55.1)	800 (31.5)	350 (13.8)	57 (125.7)
32655/57/58	400 (15.7)	100 (3.9)	50 (2)	1.2 (2.6)
32660/63	550 (21.7)	100 (3.9)	70 (2.8)	2 (4.4)
32664	550 (21.7)	100 (3.9)	70 (2.8)	2.7 (6)
41121	1200 (47.2)	800 (31.5)	340 (13.4)	118 (260.1)
43091	1200 (47.2)	800 (31.5)	340 (13.4)	94.9 (209.2)
43092	1200 (47.2)	800 (31.5)	340 (13.4)	100.7 (222)
43246	210 (8.3)	210 (8.3)	75 (2.9)	3.2 (7.1)
43247	230 (9.1)	230 (9.1)	75 (2.9)	4.4 (9.7)
43248	280 (11)	280 (11)	100 (3.9)	6.9 (15.2)
43249	280 (11)	280 (11)	100 (3.9)	7.8 (17.2)
43692	800 (31.5)	600 (23.6)	340 (13.4)	12.5 (27.6)
91100	1640 (64.6)	450 (17.7)	310 (12.2)	105 (231.5)
91101	2140 (84.2)	450 (17.7)	310 (12.2)	120 (264.6)
91110	2300 (90.6)	300 (11.8)	200 (7.9)	22 (48.5)