
Radio Cable Holder

MSS

MAFI 4270



About the Product

Designed to hold cables with standard snap-ins. Fits 2.375" OD and 2.875" OD pipes.

How to Order

To order, please contact MAFI quoting article number:

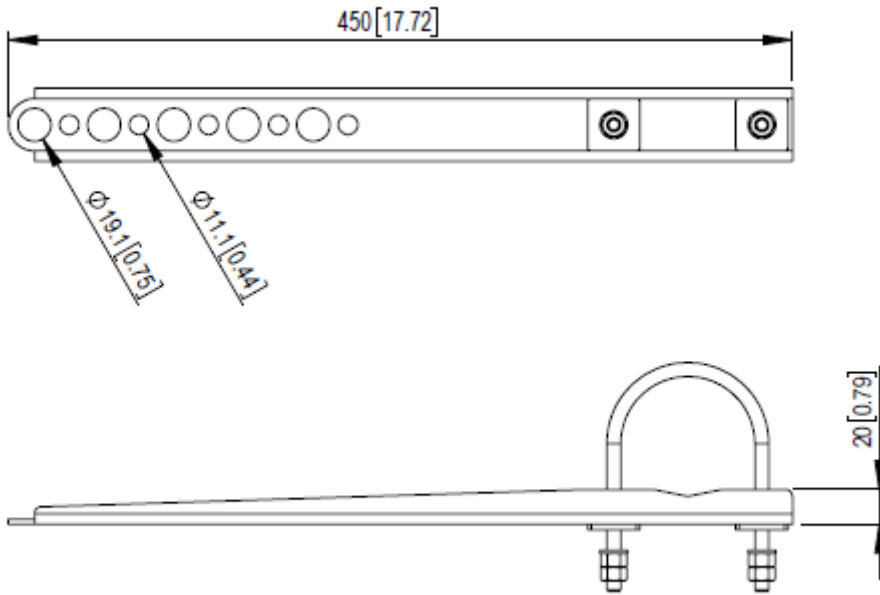
4270

Please visit www.mafigroup.com for regional contact information.

Content of kit

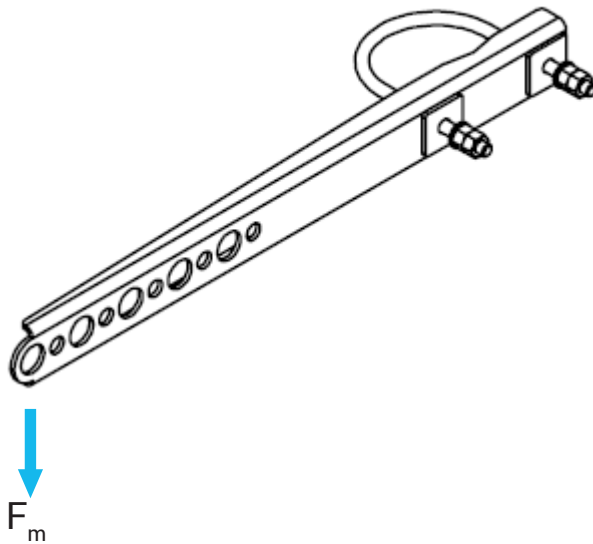
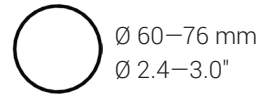


4270



Measurements in millimeters (inches)

Parent member



Performance

Load capacity (F_m): 2 kg (4.4 lb)

Parts list

Part	Material	Quantity
Offset Arm	S355MC HDG	1
U-bolt	8.8 HDG	1
Fasteners	8.8 HDG	Incl.

Package data

Product	Length mm (in)	Width mm (in)	Height mm (in)	Weight kg (lb)
4270	457 (18)	102(4.0)	38(1.5)	1.2(2.6)

Product options

Tubes of various lengths, diameters and wall thicknesses can be ordered from MAFI