
Antenna Cable Holder

MSS

MAFI 4260



About the Product

Designed to hold cables with standard snap-ins. Fits 2.375" OD and 2.875" OD pipes.

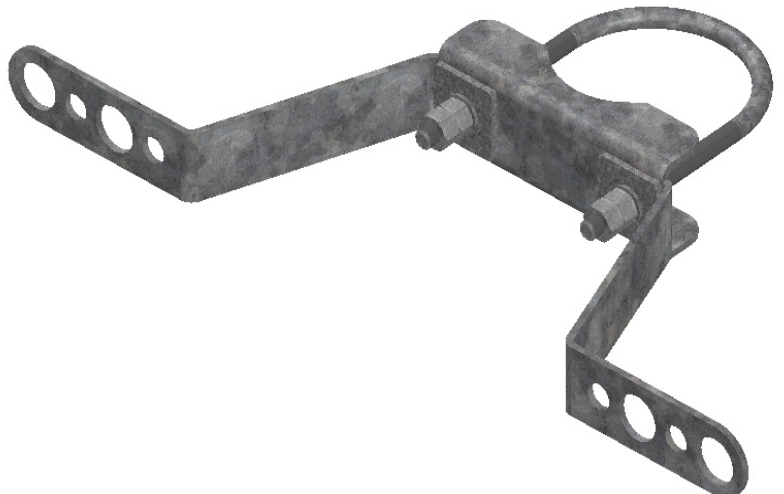
How to Order

To order, please contact MAFI quoting article number:

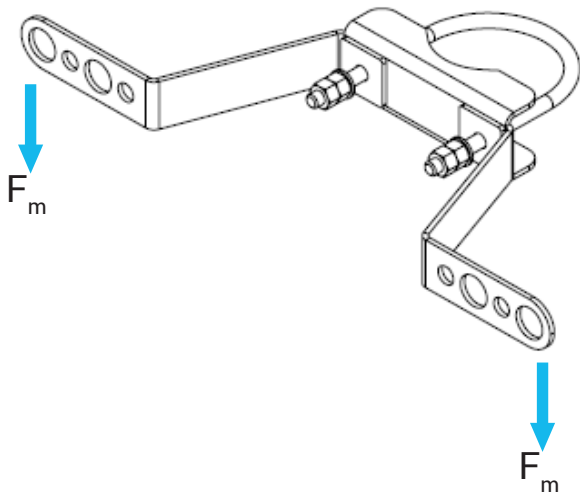
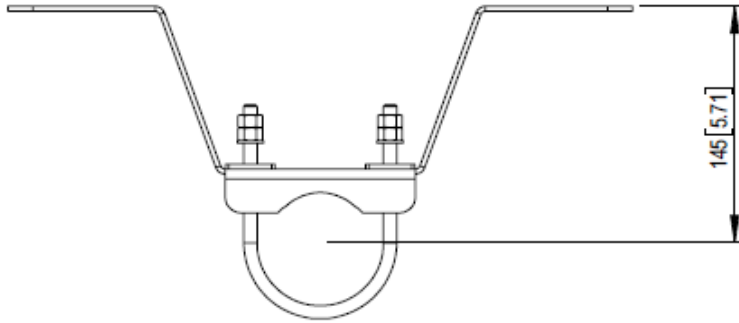
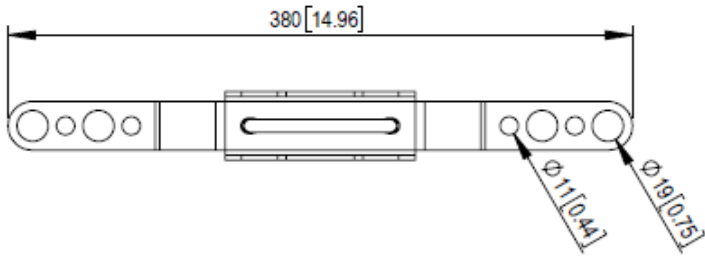
4260

Please visit www.mafigroup.com for regional contact information.

Content of kit

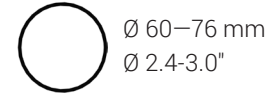


4260



Measurements in millimeters (inches)

Parent member



Performance

Load capacity (F_m): 2 kg (4.4 lb)

Parts list

Part	Material	Quantity
Offset Arm	S355MC HDG	1
U-bolt	8.8 HDG	1
Fasteners	8.8 HDG	Incl.

Package data

Product	Length mm (in)	Width mm (in)	Height mm (in)	Weight kg (lb)
4260	394 (15.5)	140(5.5)	51(2.0)	1.0(2.2)

Product options

Tubes of various lengths, diameters and wall thicknesses can be ordered from MAFI