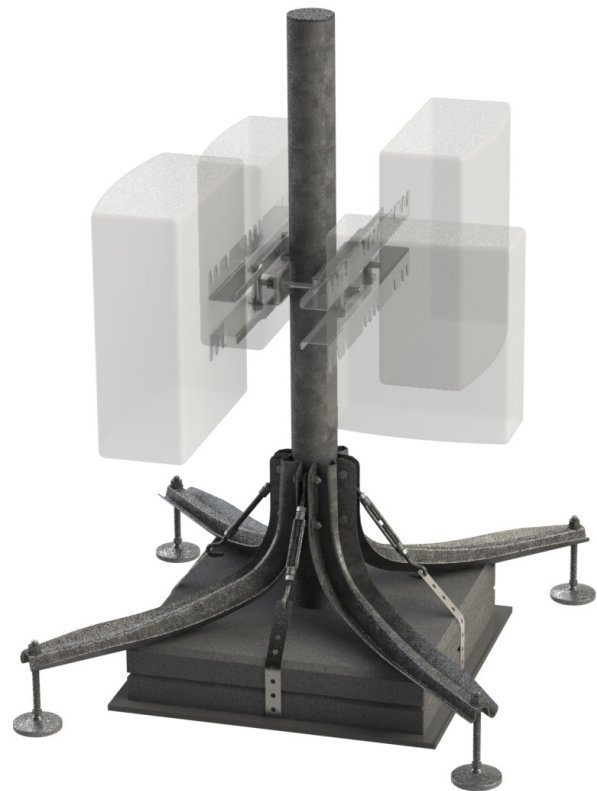


# MAFI 4120

## Roof Butler



Designed as a free standing equipment pole for low wind-load generating equipment such as RRUs placed in areas of low risk. The 4120 is assembled on site allowing it to be carried by one man alone in components weighing less than 25 kg (55.1 lb).

### Flexibility

The Roof Butler is horizontally adjustable up to 6°, so that the pole will always be vertical.

### Overturning moment

For this free standing structure, the critical dimensioning parameter is the ability to resist overturning moment. Wind forces, dimensions and equipment weight must be taken into consideration when designing.

This free standing structure must be equipped with a minimum ballast weight of 25 kg (55.1 lb).

All equipment must always be placed as evenly distributed as possible.

A stability calculation should be done in every case  
– If you need help, please contact MAFI.

### Additional Data

For package data see section **Package Data**.

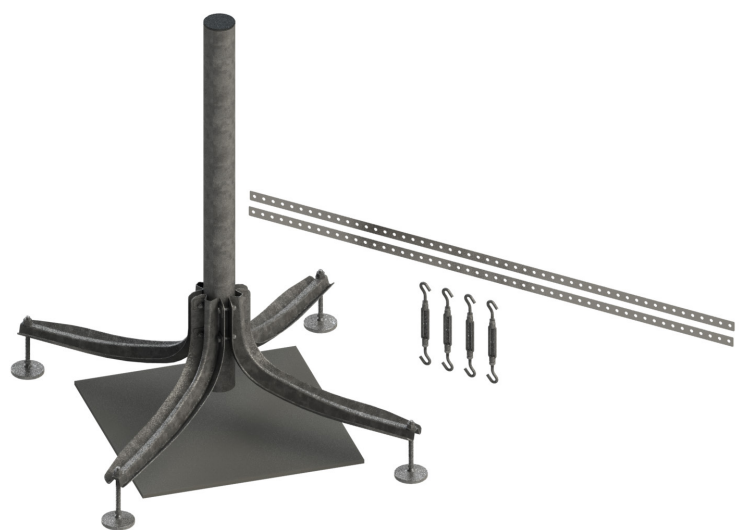
Additional information for this product can be found at [www.mafigroup.com](http://www.mafigroup.com), or use the QR-code on next page.

### How to Order

To order this kit, please contact MAFI quoting article number:

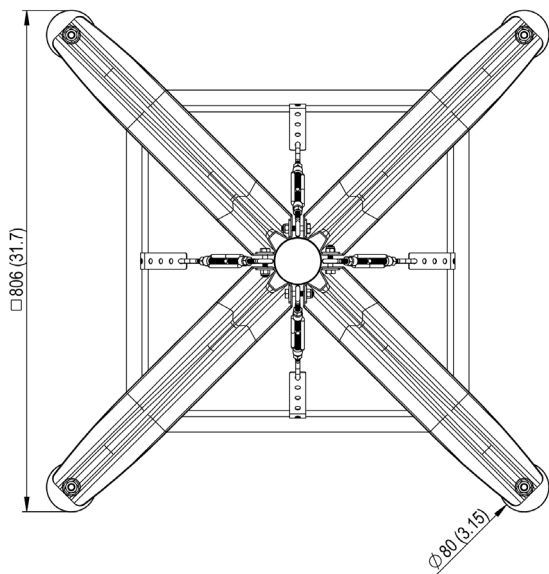
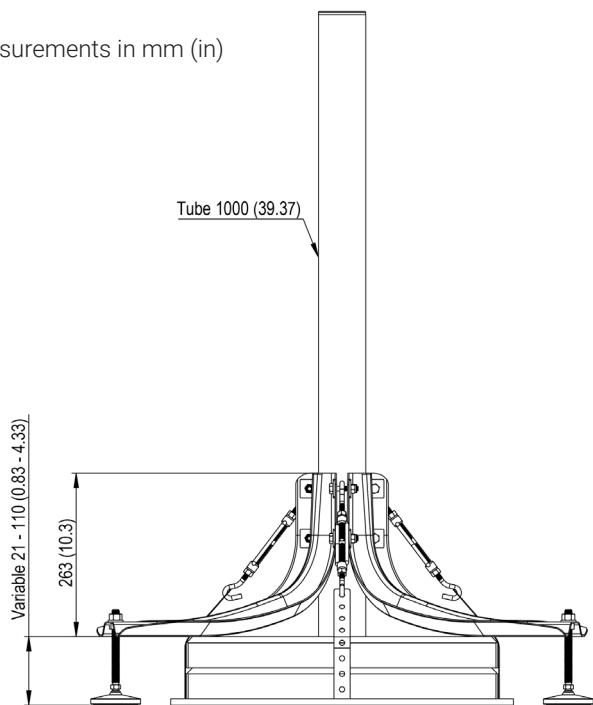
**4120**

Contact information can be found at [www.mafigroup.com](http://www.mafigroup.com).

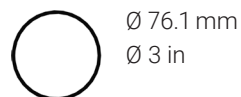


Content of kit

Measurements in mm (in)



### Parent member



### Performance

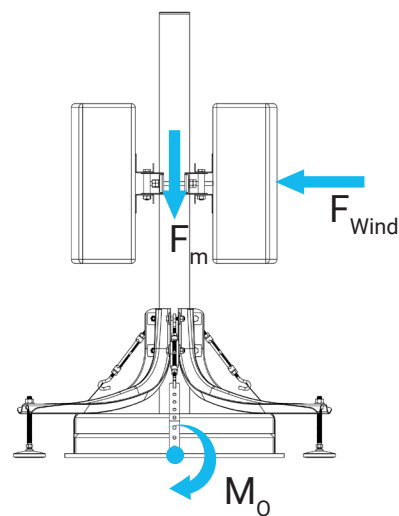
Load capacity ( $F_m$ )\*: 240 kg (529 lb)  
(Excluding roof butler weight)

Maximum overturning moment ( $M_o$ ): 800 Nm  
(Including roof butler weight)

Lever arm for overturning moment calculation:  
0.32 m (1.05 ft)

Maximum tilt: 6°

\*Minimum ballast weight: 25 kg (55.1 lb)  
All equipment must always be placed as evenly distributed as possible.



### Parts list

Part	Material	Quantity
Support foot	S550 Z600	4
Ball-joint foot	8.8 HDG/Rubber	4
Tube 1 m (3.3 ft)	P235TR1 HDG	1
Suspension band 1 m (3.3 ft)	A4	2
Protective mat	Polyethylene	1
Turnbuckle	8.8 HDG	4
Fasteners	8.8 HDG	Incl.

### Product options

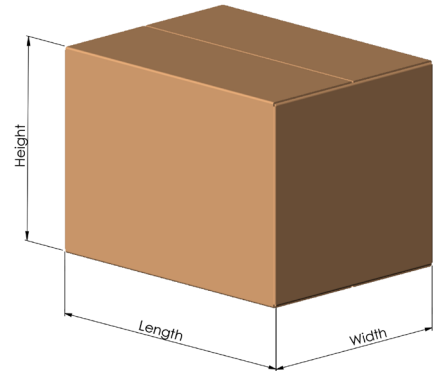
42071: Concrete block as ballast weight.



# Package data

## Package data

Product	Length mm (in)	Width mm (in)	Height mm (in)	Weight kg (lb)
1234	300 (11.8)	300 (11.8)	30 (1.2)	2.4 (5.3)
1236	200 (7.9)	50 (2)	50 (2)	0.5 (1.1)
1237	460 (18.1)	110 (4.3)	40 (1.6)	1.5 (3.3)
1241	200 (7.9)	180 (7.1)	140 (5.5)	2.9 (6)
1242	570 (22.4)	125 (4.9)	25 (1)	1.6 (3.5)
2230	1100 (43.3)	160 (6.3)	100 (3.9)	13.8 (30.4)
2231	2100 (82.7)	160 (6.3)	100 (3.9)	20.3 (44.8)
2232	3100 (122)	160 (6.3)	100 (3.9)	26.8 (59.1)
2233	1100 (43.3)	160 (6.3)	100 (3.9)	14.8 (32.6)
2234	2100 (82.7)	160 (6.3)	100 (3.9)	21.3 (47)
2235	3100 (122)	160 (6.3)	100 (3.9)	27.8 (61.3)
2414	385 (15.2)	295 (11.6)	200 (7.9)	17 (37.5)
3022	1040 (40.9)	170 (6.7)	95 (3.7)	21 (46.3)
3058	420 (16.5)	100 (3.9)	110 (4.3)	2.6 (5.7)
3115	250 (9.8)	150 (5.9)	100 (3.9)	4 (8.8)
3116	178 (7)	175 (6.9)	82 (3.2)	3.2 (7.1)
3117	280 (11)	180 (7.1)	120 (4.7)	6.2 (13.7)
3263	640 (25.2)	115 (4.5)	65 (2.6)	7.3 (16.1)
3265	640 (25.2)	150 (5.9)	70 (2.8)	7.5 (16.5)
3268	1050 (41.3)	170 (6.7)	65 (2.6)	12.1 (26.7)
3270	2000 (78.7)	160 (6.3)	160 (6.3)	40 (88.2)
3272	1050 (41.3)	170 (6.7)	65 (2.6)	19.4 (42.8)
3273	460 (18.1)	115 (4.5)	60 (2.4)	6.2 (13.7)
3274	410 (16.1)	110 (4.3)	50 (2)	5.8 (12.8)
3510	210 (8.3)	160 (6.3)	120 (4.7)	6 (13.2)
3541	385 (15.2)	300 (11.8)	90 (3.5)	4.9 (10.8)
3544	590 (23.2)	450 (17.7)	150 (5.9)	13.8 (30.4)
3610	440 (17.3)	280 (11)	80 (3.1)	12.1 (26.7)
3611	500 (19.7)	280 (11)	80 (3.1)	12.9 (28.4)
3612	500 (19.7)	280 (11)	80 (3.1)	11.2 (24.7)
3613	500 (19.7)	400 (15.7)	100 (3.9)	16.5 (36.4)
3614	440 (17.3)	400 (15.7)	100 (3.9)	17.5 (38.6)
3615	440 (17.3)	400 (15.7)	100 (3.9)	16.1 (35.5)
4019-2	360 (14.2)	230 (9.1)	90 (3.5)	5.8 (12.8)
4019-3	430 (16.9)	360 (14.2)	60 (2.4)	10.6 (23.4)
4019-4	810 (31.9)	260 (10.2)	60 (2.4)	11.5 (25.4)
4020	230 (9.1)	210 (8.3)	85 (3.3)	4.3 (9.5)



---

**Package data**

<b>Product</b>	<b>Length mm (in)</b>	<b>Width mm (in)</b>	<b>Height mm (in)</b>	<b>Weight kg (lb)</b>
4112	1200 (47.2)	800 (31.5)	340 (13.4)	122 (269)
4120	1130 (44.5)	310 (12.2)	130 (5.1)	16.7 (36.8)
4309	1200 (47.2)	800 (31.5)	340 (13.4)	111 (244.7)
4310	1200 (47.2)	800 (31.5)	340 (13.4)	65.7 (144.8)
4316	1850 (72.8)	350 (13.8)	230 (9.1)	27 (59.5)
4415	390 (15.4)	230 (9.1)	120 (4.7)	13.5 (29.8)
4418	390 (15.4)	275 (10.8)	120 (4.7)	15.3 (33.7)
4600	1250 (49.2)	350 (13.8)	350 (13.8)	65 (143.3)
4601	1750 (68.9)	350 (13.8)	350 (13.8)	105 (231.5)
4602	2300 (90.6)	350 (13.8)	350 (13.8)	137 (302)
5012	300 (11.8)	255 (10)	65 (2.6)	5.2 (11.5)
5013	265 (10.4)	240 (9.4)	65 (2.6)	4.4 (9.7)
5022	300 (11.8)	255 (10)	65 (2.6)	5.7 (12.6)
5023	265 (10.4)	240 (9.4)	65 (2.6)	4.4 (9.7)
5030	390 (15.4)	240 (9.4)	130 (5.1)	12.5 (27.6)
5031	260 (10.2)	230 (9)	75 (2.9)	8 (17.6)
5110	540 (21.3)	345 (13.6)	20 (0.8)	3.3 (7.3)
5310	150 (5.9)	110 (4.3)	40 (1.6)	2.8 (6.2)
5311	180 (7.1)	110 (4.3)	40 (1.6)	3.1 (6.8)
5312	180 (7.1)	110 (4.3)	40 (1.6)	3.1 (6.8)
5320	220 (8.7)	140 (5.5)	50 (2)	2.4 (5.3)
5321	250 (9.8)	150 (5.9)	50 (2)	2.7 (6)
6029	500 (19.7)	100 (3.9)	70 (2.8)	4.9 (10.8)
6030	215 (8.5)	155 (6.1)	70 (2.8)	1.5 (3.3)
7000	390 (15.4)	370 (14.6)	50 (2)	0.5 (1.1)
8051	1400 (55.1)	800 (31.5)	350 (13.8)	86 (189.6)
8057	1400 (55.1)	800 (31.5)	350 (13.8)	57 (125.7)
32655/57/58	400 (15.7)	100 (3.9)	50 (2)	1.2 (2.6)
32660/63	550 (21.7)	100 (3.9)	70 (2.8)	2 (4.4)
32664	550 (21.7)	100 (3.9)	70 (2.8)	2.7 (6)
41121	1200 (47.2)	800 (31.5)	340 (13.4)	118 (260.1)
43091	1200 (47.2)	800 (31.5)	340 (13.4)	94.9 (209.2)
43092	1200 (47.2)	800 (31.5)	340 (13.4)	100.7 (222)
43246	210 (8.3)	210 (8.3)	75 (2.9)	3.2 (7.1)
43247	230 (9.1)	230 (9.1)	75 (2.9)	4.4 (9.7)
43248	280 (11)	280 (11)	100 (3.9)	6.9 (15.2)
43249	280 (11)	280 (11)	100 (3.9)	7.8 (17.2)