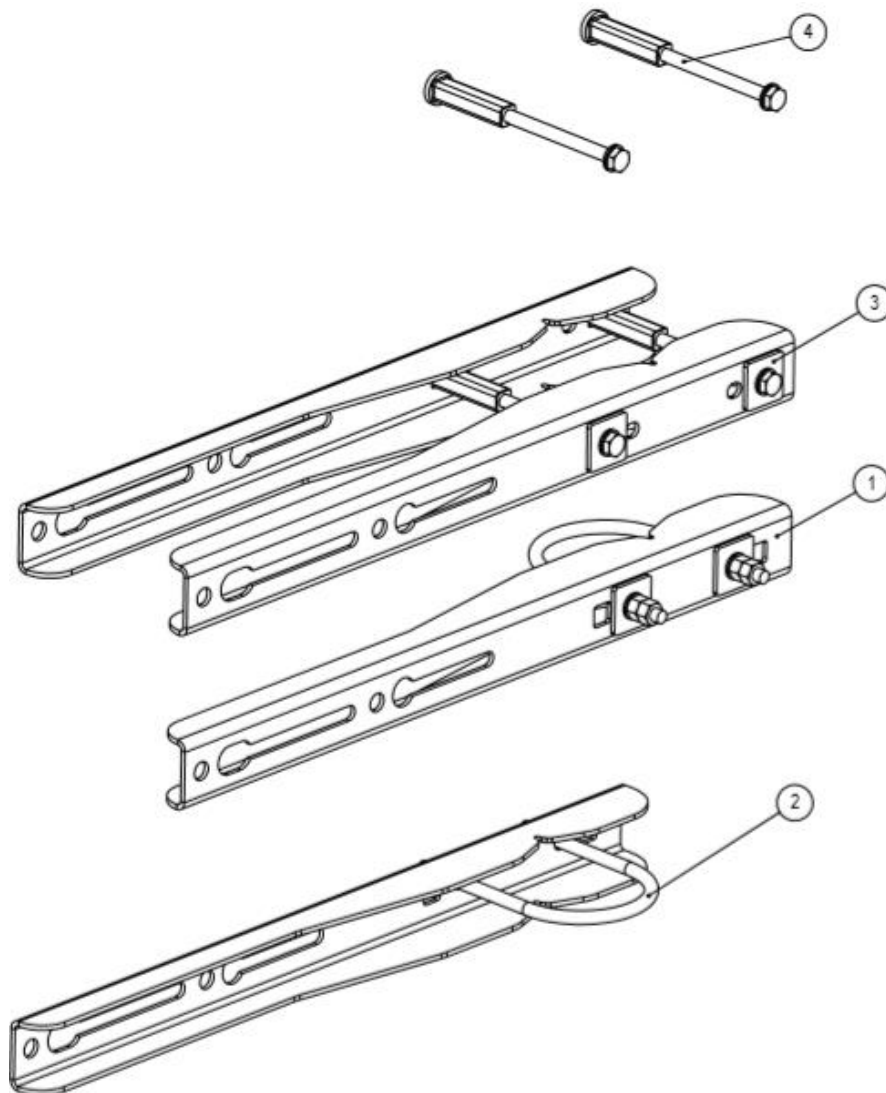


Package content MAFI 4060



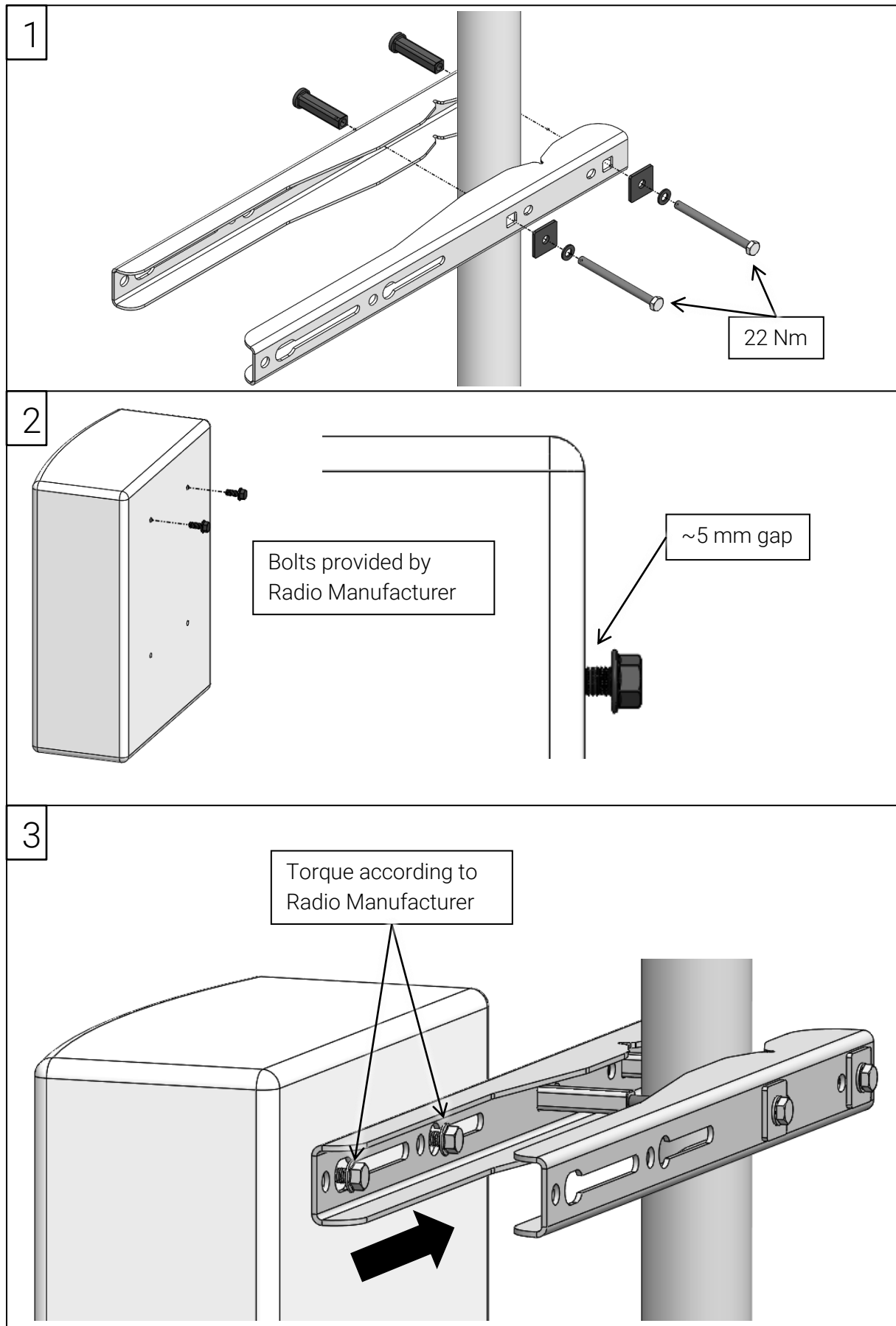
Pos.	Qty.	Description
1	4	Universal RRU Mount Arm
2	2	U-bolt kit M8 x 70 C-C 85 Type A
3	6	Square washer M8 30 x 30 x 3
4	1	M8 Bushing Nuts 4 x Kit

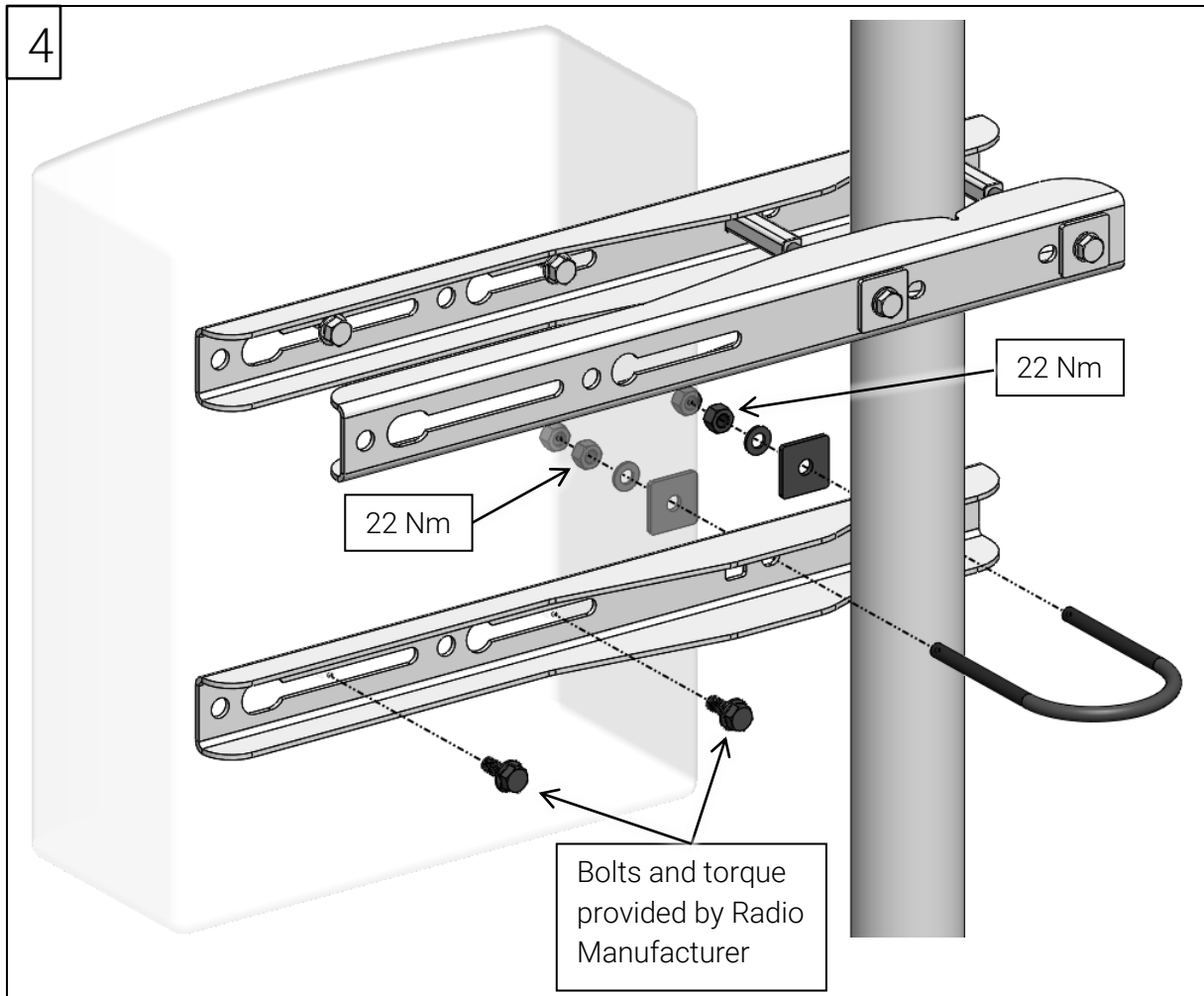
Tools (Not included):
 Wrench: 13mm
 Torque wrench: 22 Nm (16 ft-lb)

Follow local building regulations and instructions and ensure use of approved fasteners. MAFI AB, the product manufacturer, does not warrant other than the product during mounting onto roof or other similar assemblies.

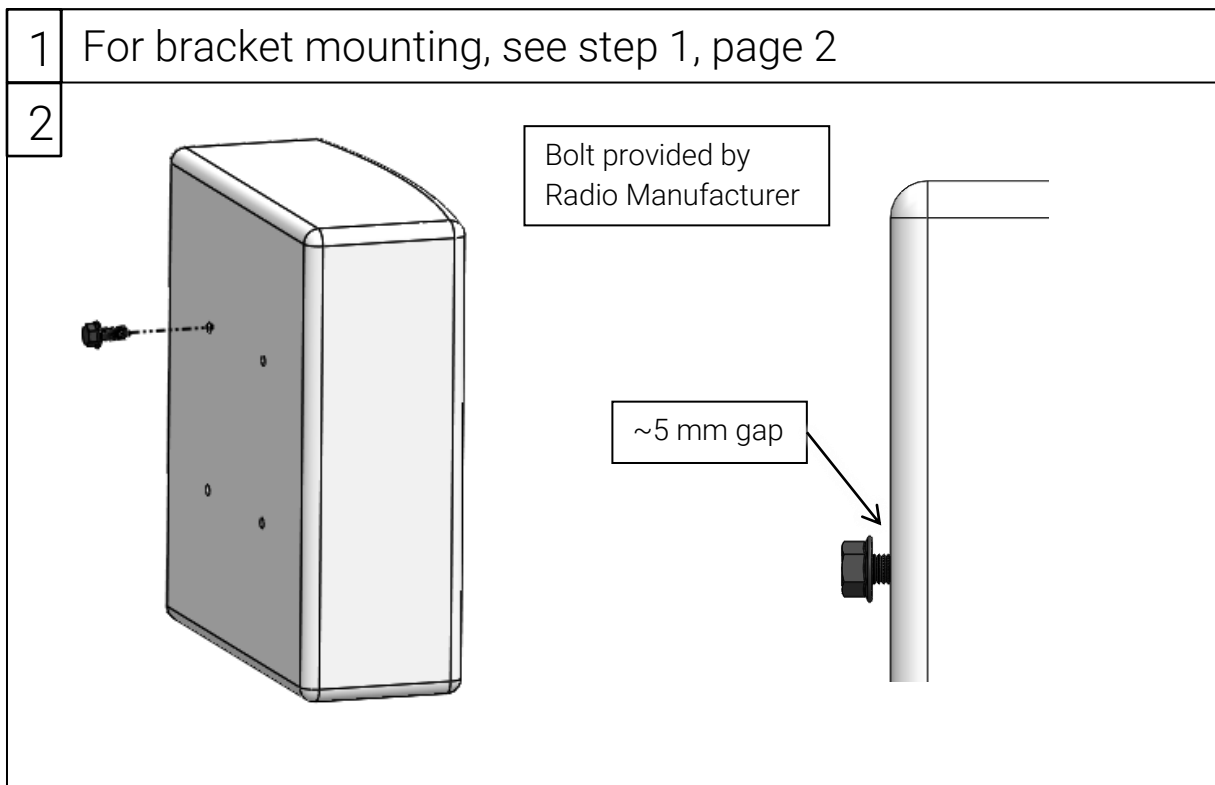
The tightening torques recommended in this mounting description presupposes bolts and nuts in delivery state. Nuts are to be lubricated before assembling. Check that the supporting structure can safely carry the loads applied to it by the MAFI product.

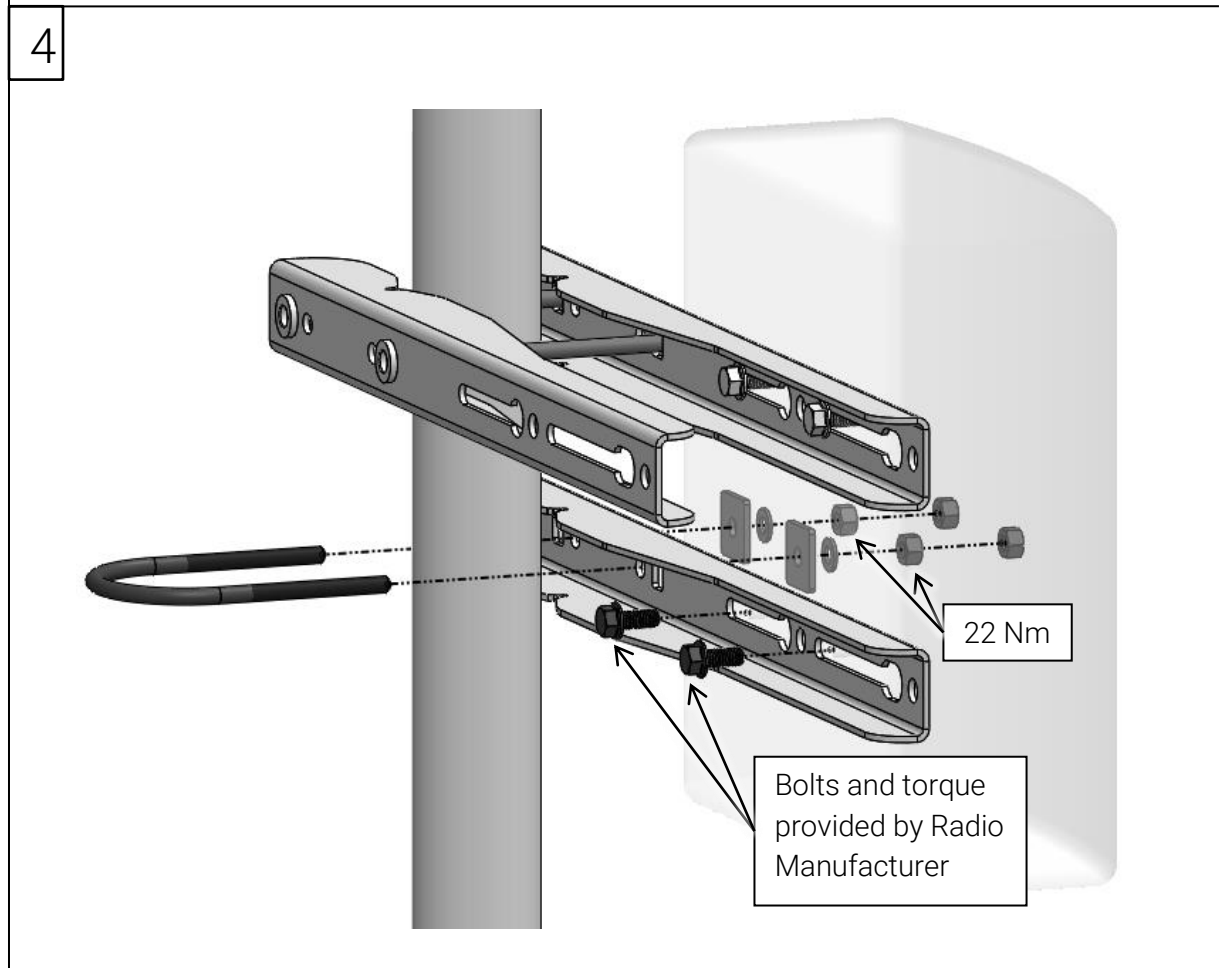
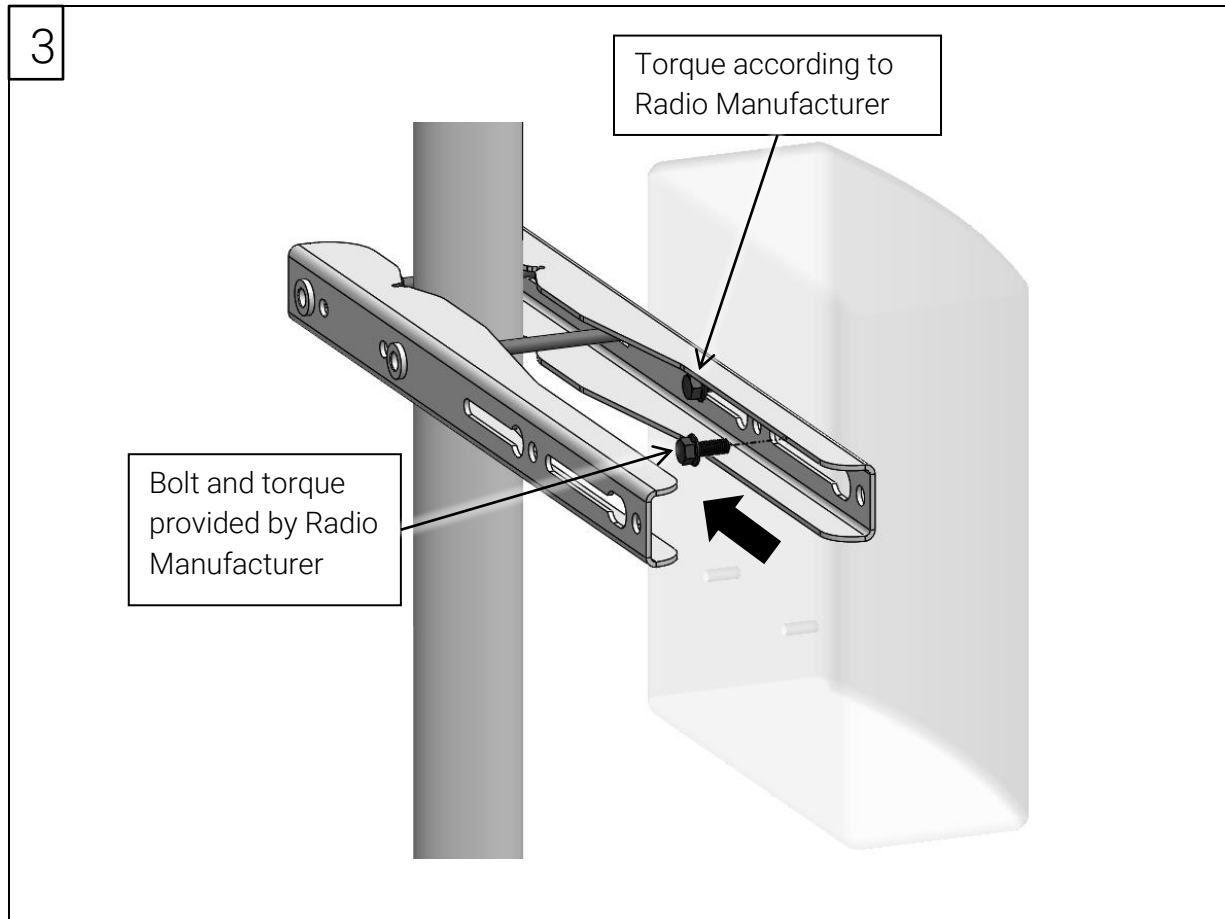
Mounting procedure for 135-145 mm C-C bolt patterns



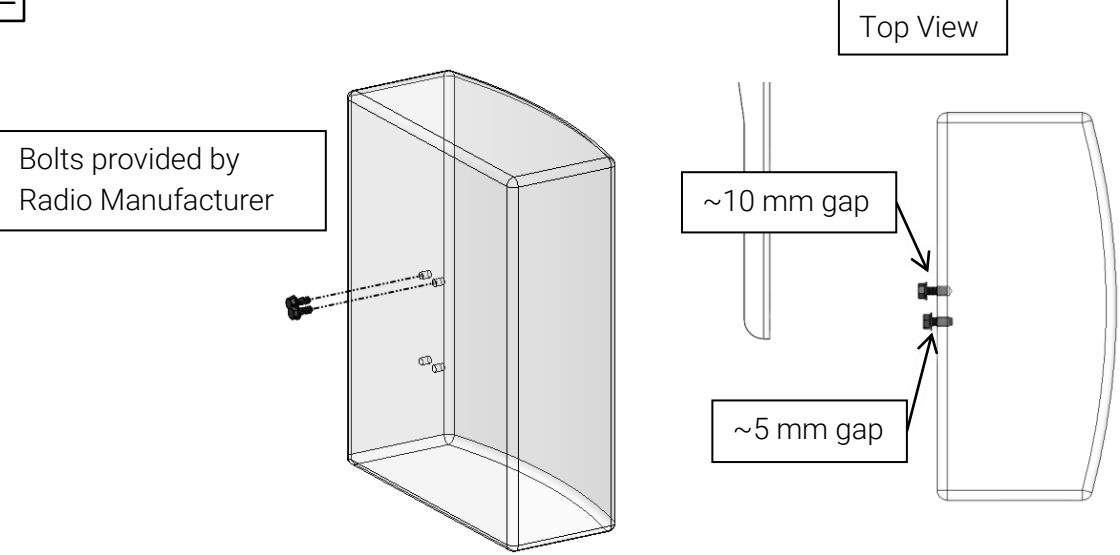
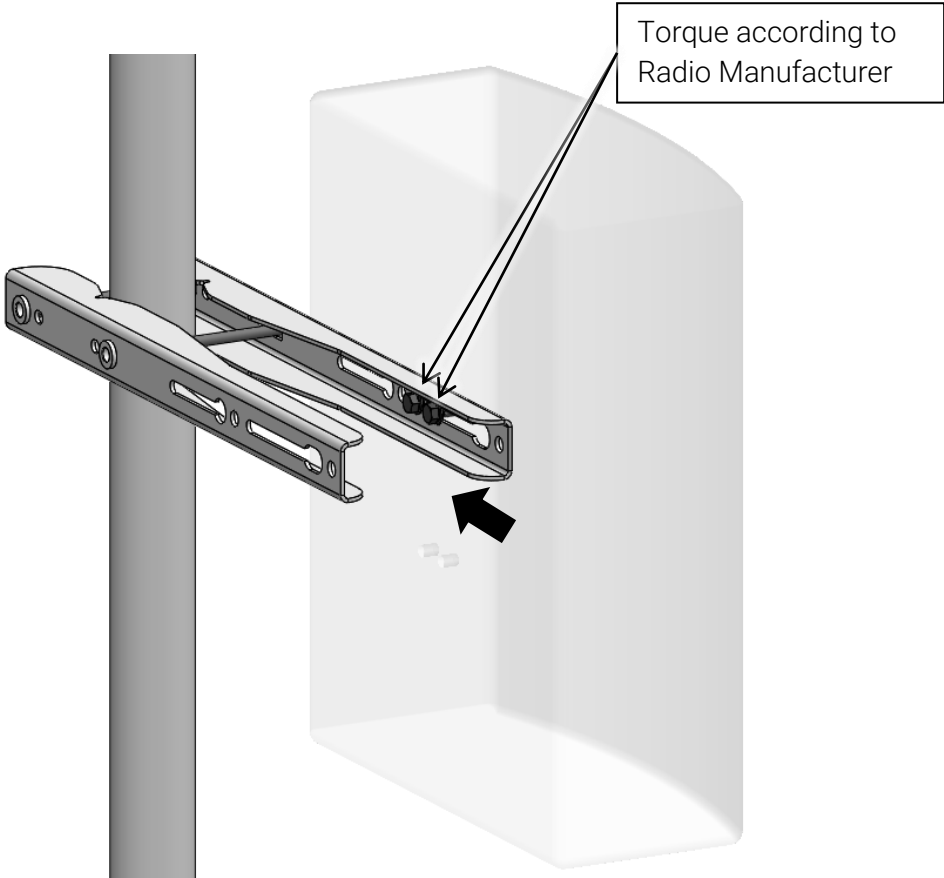


Mounting procedure for all other wide bolt patterns





Mounting procedure for narrow bolt patterns

1	For bracket mounting, see step 1, page 2
2	
3	
4	For bracket mounting, see step 4, page 4

Mounting procedure for two identical radios

1	For bracket mounting, see step 1, page 2
2	For first radio mounting, see steps 2-3, page 2, or steps 2-3, pages 3-4, or steps 2-3, page 5
3	
4	
5	