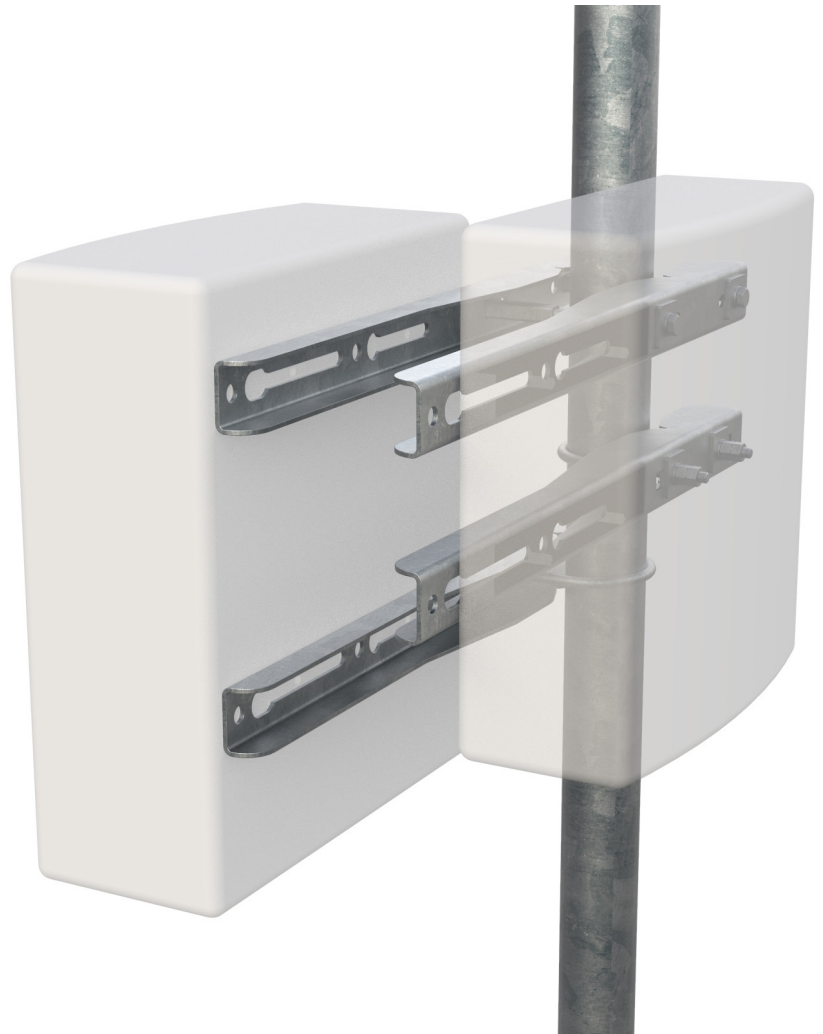


Back-to-Back Radio Mount

MSS

MAFI 4060



About the Product

This product is a portrait-style low profile back-to-back radio mount that fits equipment with M10 fixed horizontal C-C 146 mm (5.75") or M8 dynamic horizontal C-C up to 193 mm (7.6").

Since the upper and lower arms are independent, equipment of dissimilar sizes can be mounted together, without adding weight, EPA or complexity.

The arms are also the clamps, for quick and easy installation.

How to Order

To order, please contact MAFI quoting article number:

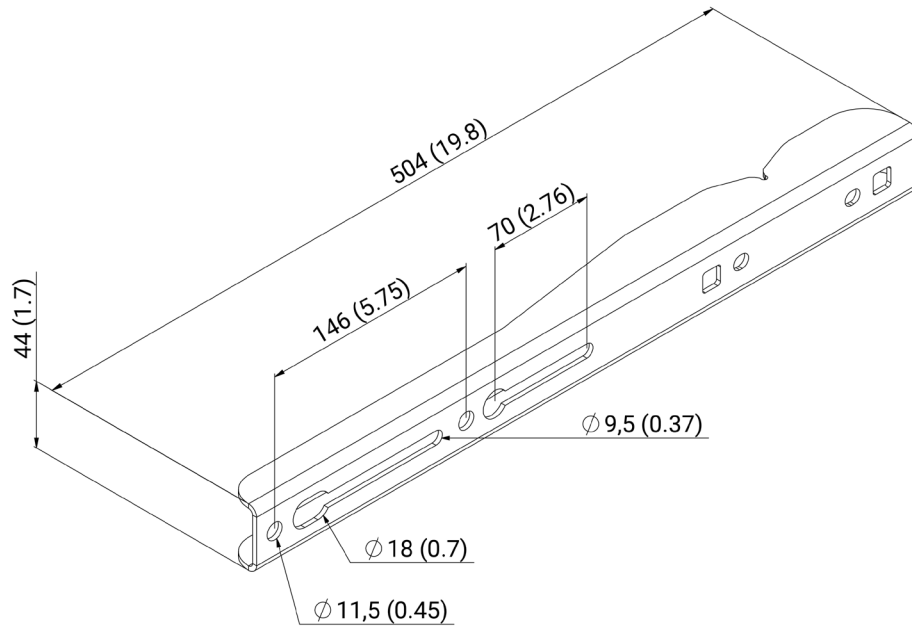
4060

Please visit <https://www.mafigroup.com/how-to-order/> for regional contact information.

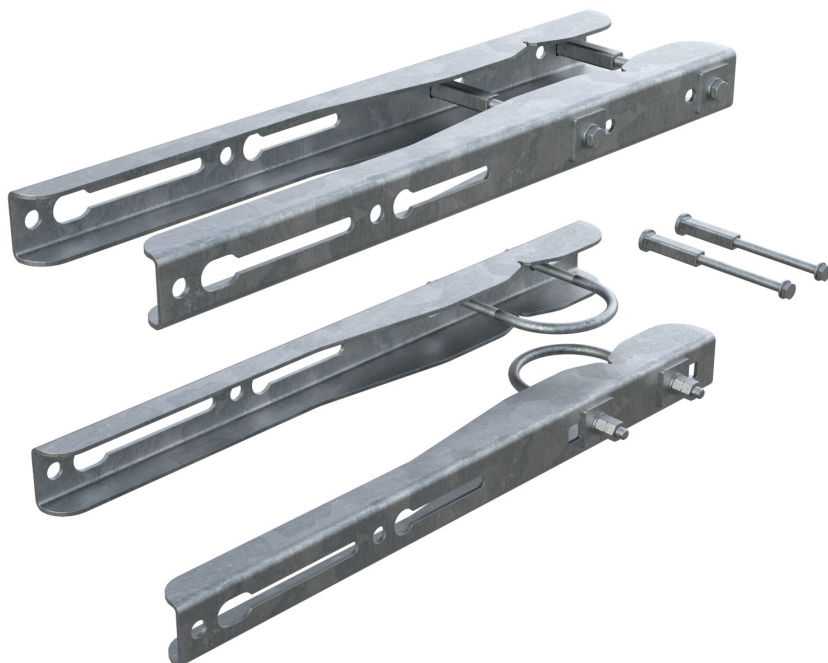


4060

Measurements in millimeters (inches)



Content of kit



Parent member



38.1 – 101.6 mm

1.5 – 4"



Ø 42.3 – 76.1 mm

Ø 1.7 – 3"

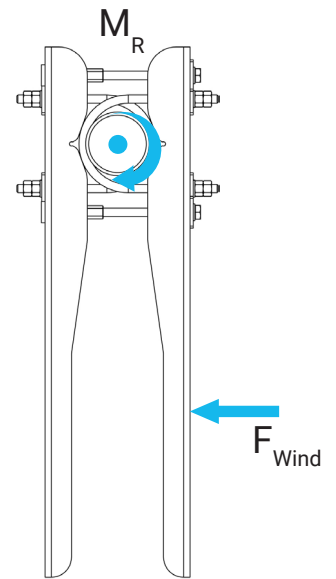
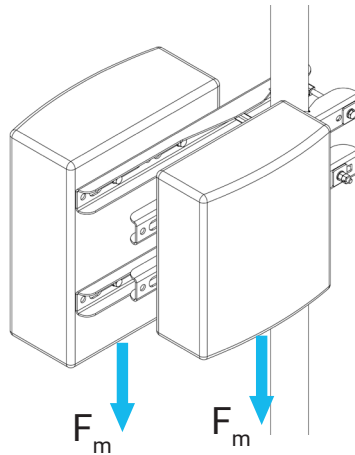


38.1 – 101.6 mm

1.5 – 4"

Performance

Load capacity (F_m): 2 x 50 kg (2 x 110 lb)



Rotational Slip Resistance (M_R)

Use ultimate loads to calculate the resulting torque

Circular Parent member Ø mm (in)	Torque in Nm
42.3 (1.7)	304
48.3 (1.9)	356
60.3 (2.4)	460
76.1 (3)	596

Parts list

Part	Material	Quantity
Bracket	S355MC HDG	4
Fasteners	8.8 HDG	Incl.

Package data

Product	Length mm (in)	Width mm (in)	Height mm (in)	Weight kg (lb)
4060	508 (20)	101.6 (4)	76.2 (3)	5.4 (12)