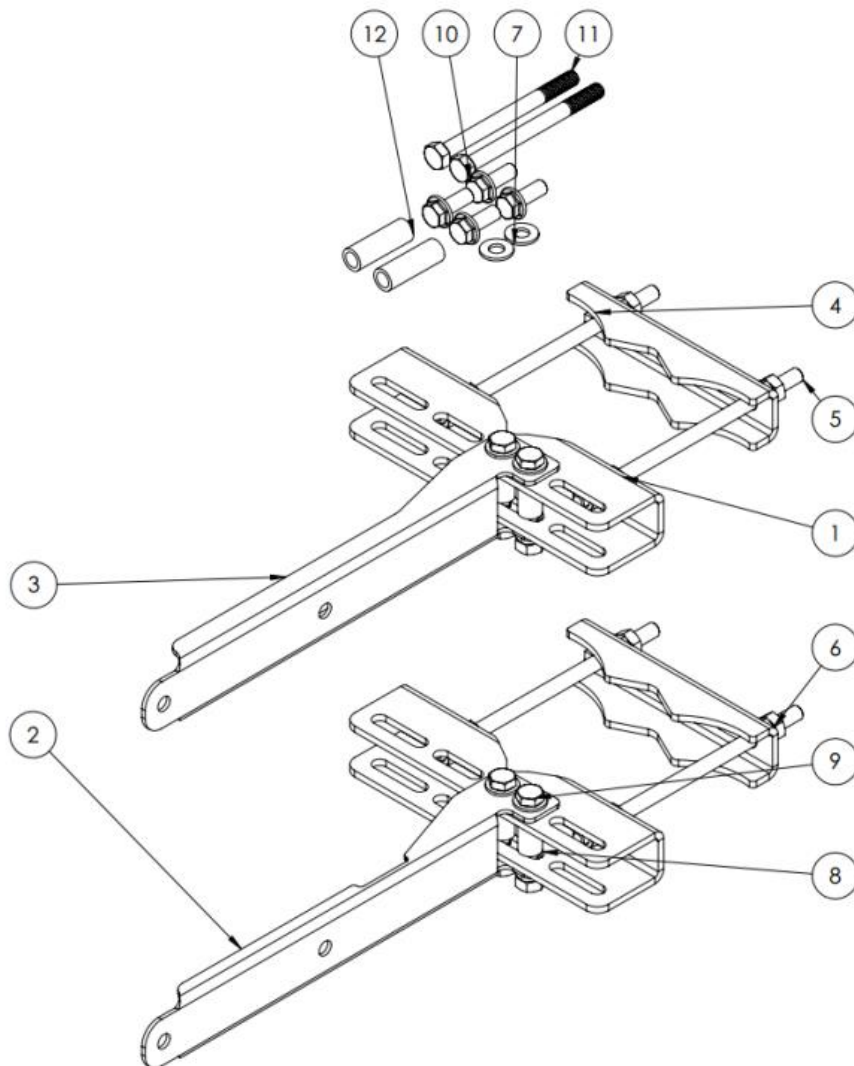


Package content SXX 109 1946/1 (MAFI 4036, 4037)



4036

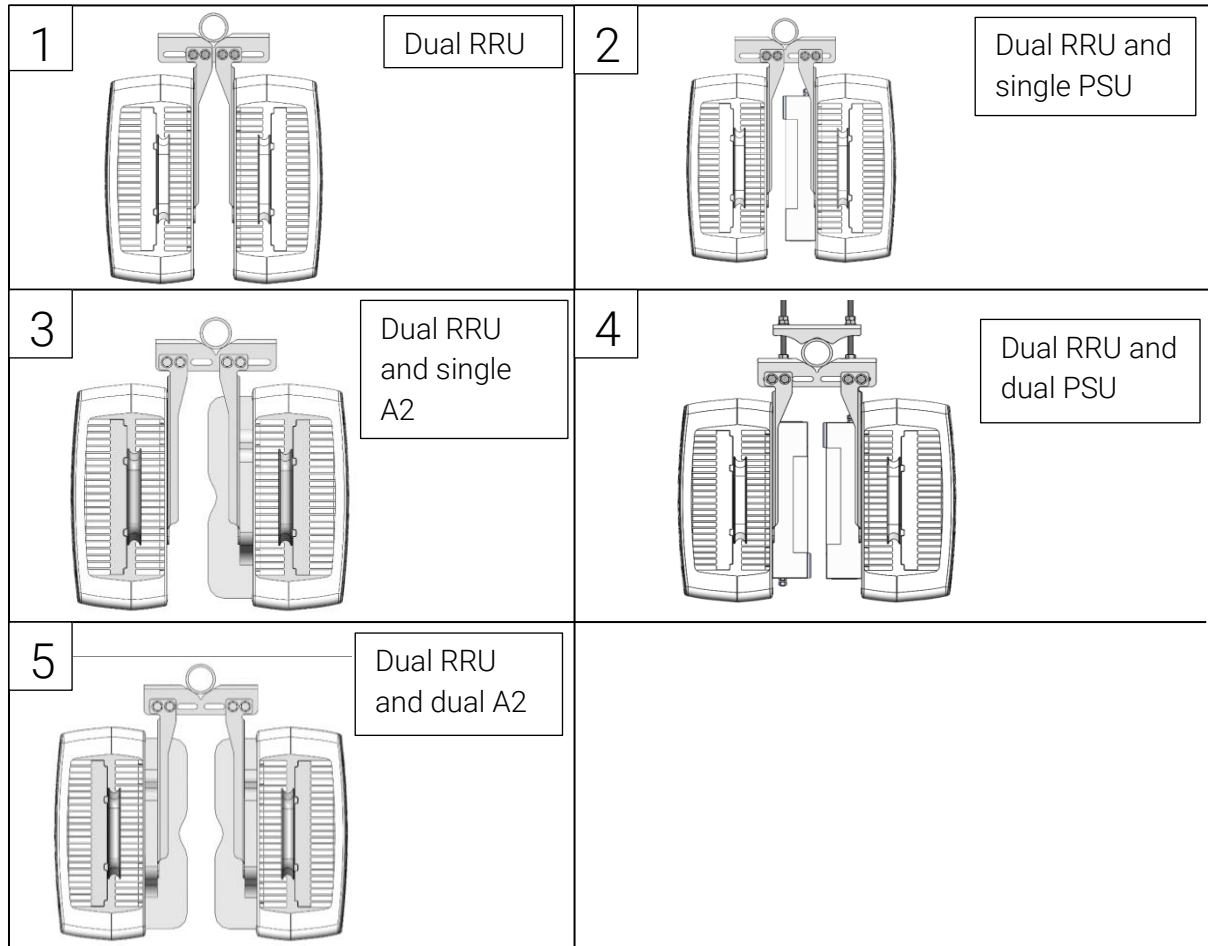
ITEM NO.	QTY.	Description
1	2	RRU arm clamp
2	1	RRU arm
3	1	RRU arm
4	2	Clamp
5	4	Threaded rod M10x200 mm FZV
6	28	Nut M10
7	18	Washer 10.5x22x2
8	4	Spacer bushing
9	4	Bolt M10x70
10	4	Flange bolt M10x25
11	2	Bolt M10x110
12	2	Spacer bushing

4037

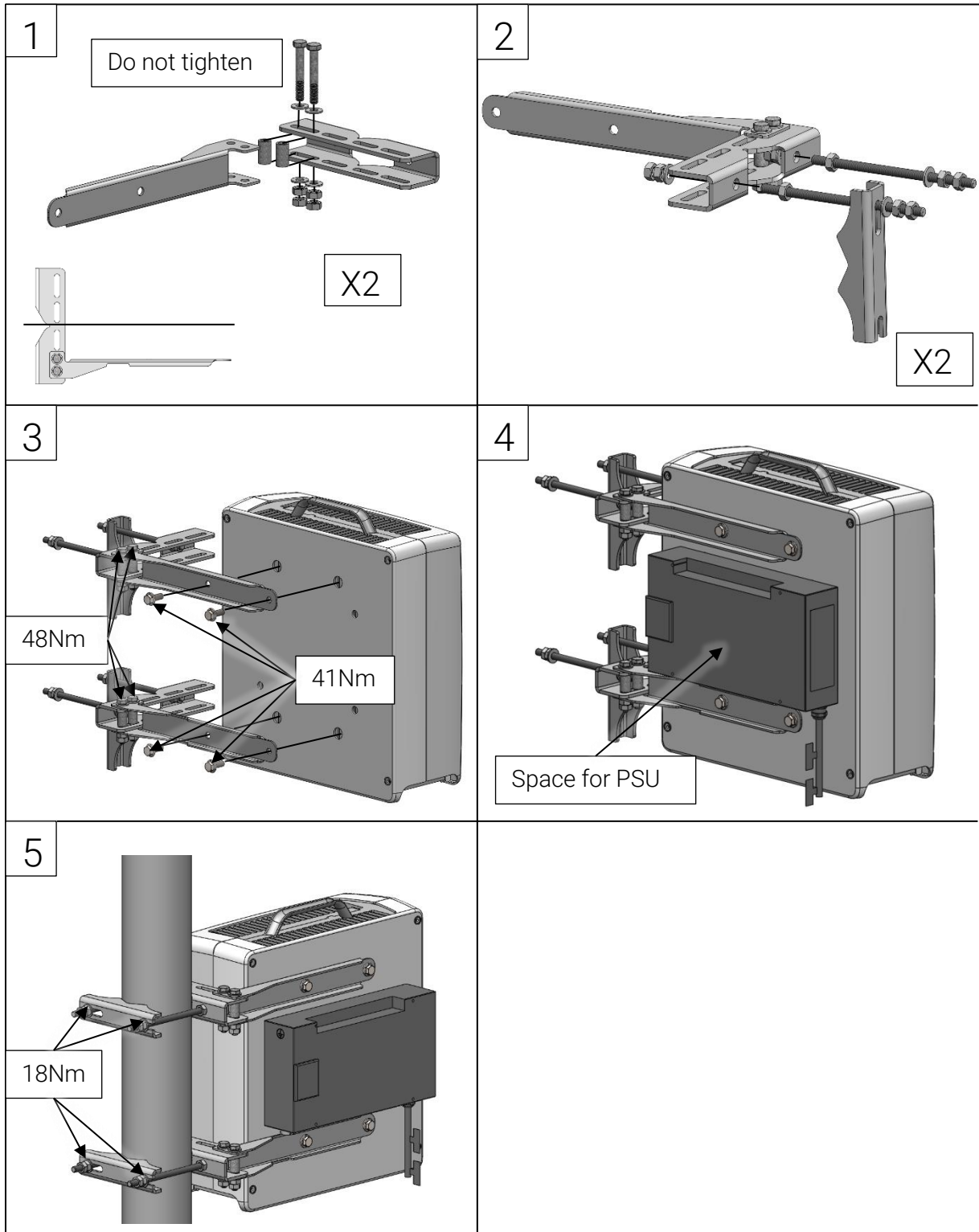
ITEM NO.	QTY.	Description
2	1	RRU arm
3	1	RRU arm
6	8	Nut M10
7	10	Washer 10.5x22x2
8	4	Spacer bushing
9	4	Bolt M10x70
10	4	Flange bolt M10x25
11	2	Bolt M10x110
12	2	Spacer bushing

Mounting procedure

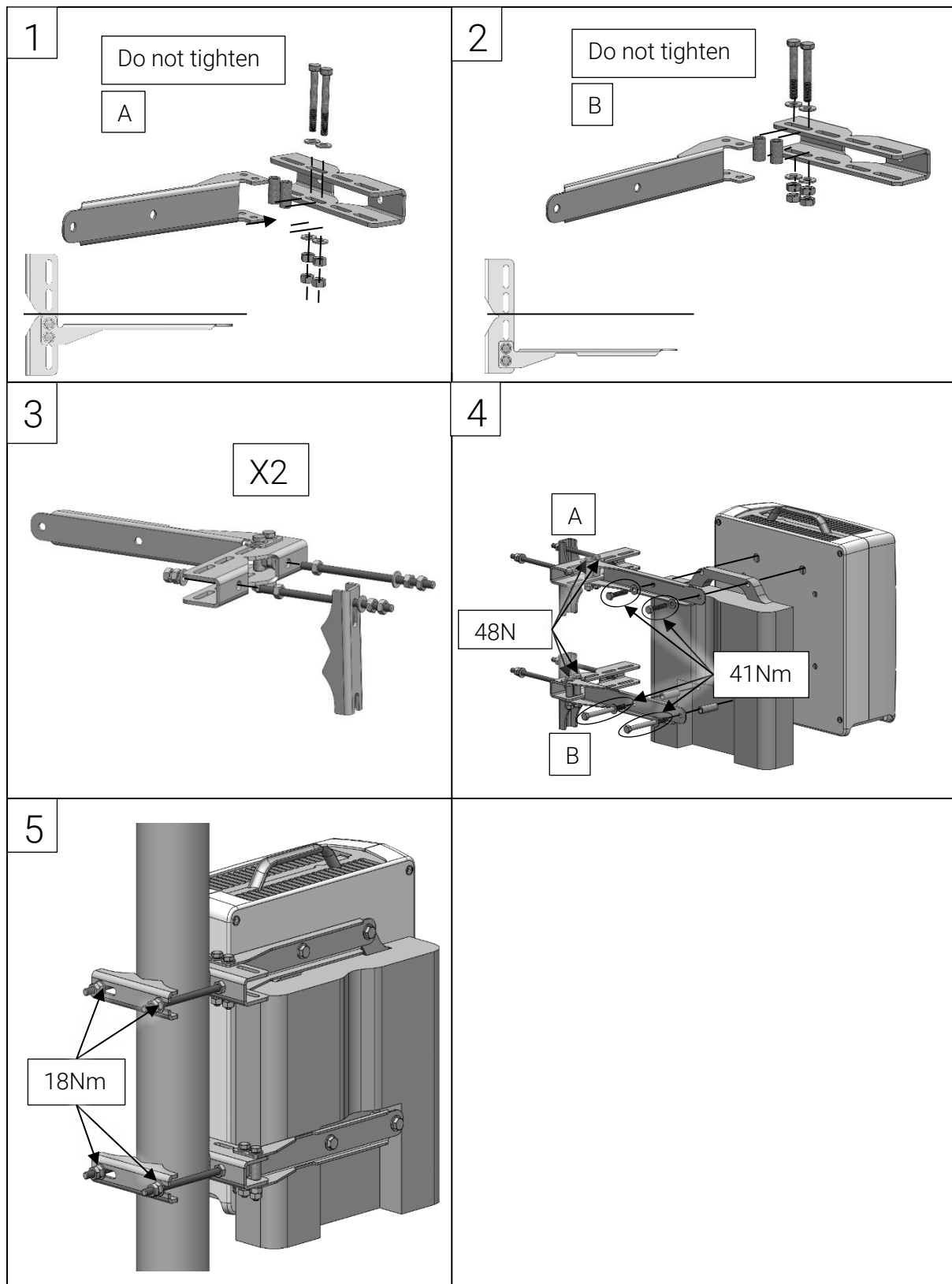
Recommended distributions when mounting optional arm



Pole mount, PSU optional



Pole mount with A2 unit



The tightening torques recommended in this mounting description presupposes bolts, threaded rods and nuts in delivery state. Nuts are to be lubricated before assembly. Check that the supporting structure can safely carry the loads applied to it by the MAFI product.