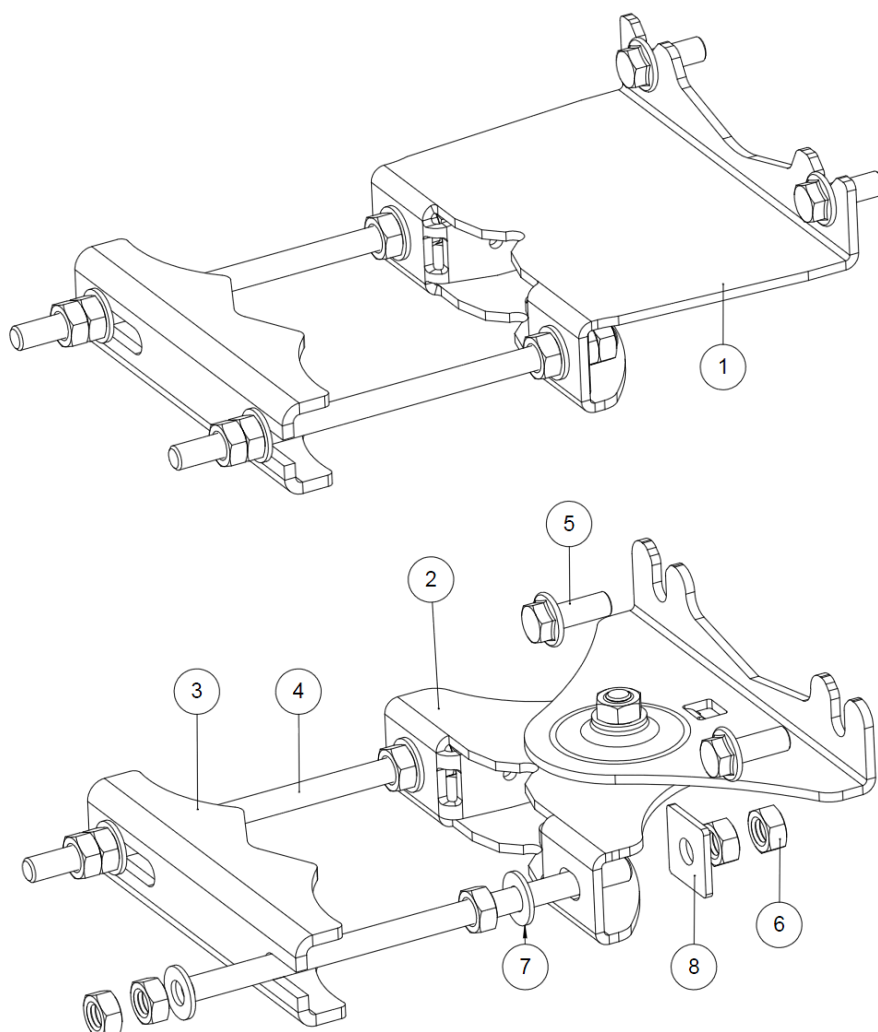


Mounting Description RRU support

Package content



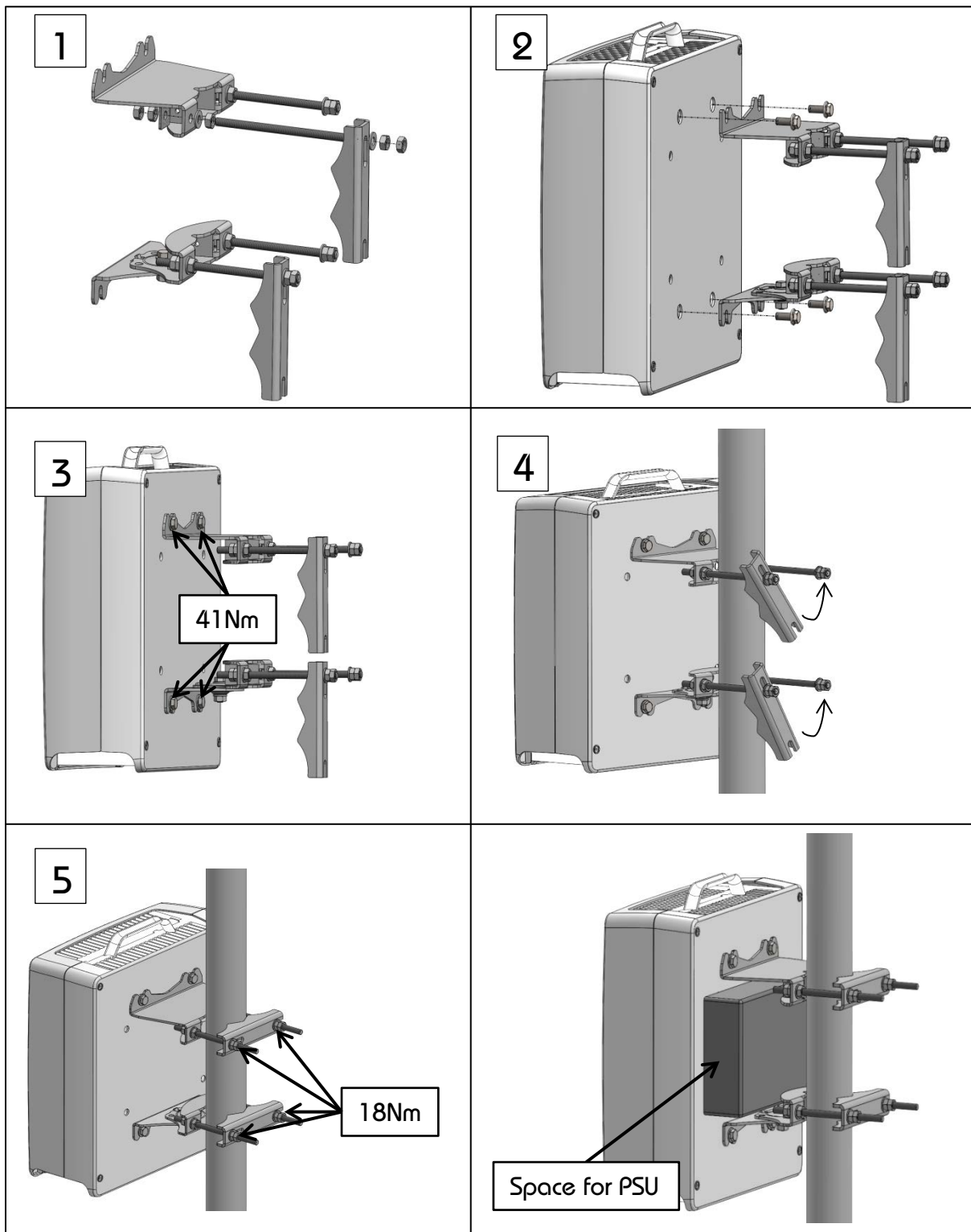
Pos	QTY.	Description
1	1	Single RRU clamp
2	1	Lower single RRU clamp
3	2	Clamp
4	4	Threaded rod M10x200 mm FZV
5	4	Flange bolt M10x25
6	23	Nut M10
7	10	Washer 10.5x22x2
8	4	Washer S4B 11x30 FZV

The tightening torques recommended in this mounting description presupposes bolts, threaded rods and nuts in delivery state. Nuts are to be lubricated before assembly. Check that the supporting structure can safely carry the loads applied to it by the MAFI product.

Mounting Description RRU support

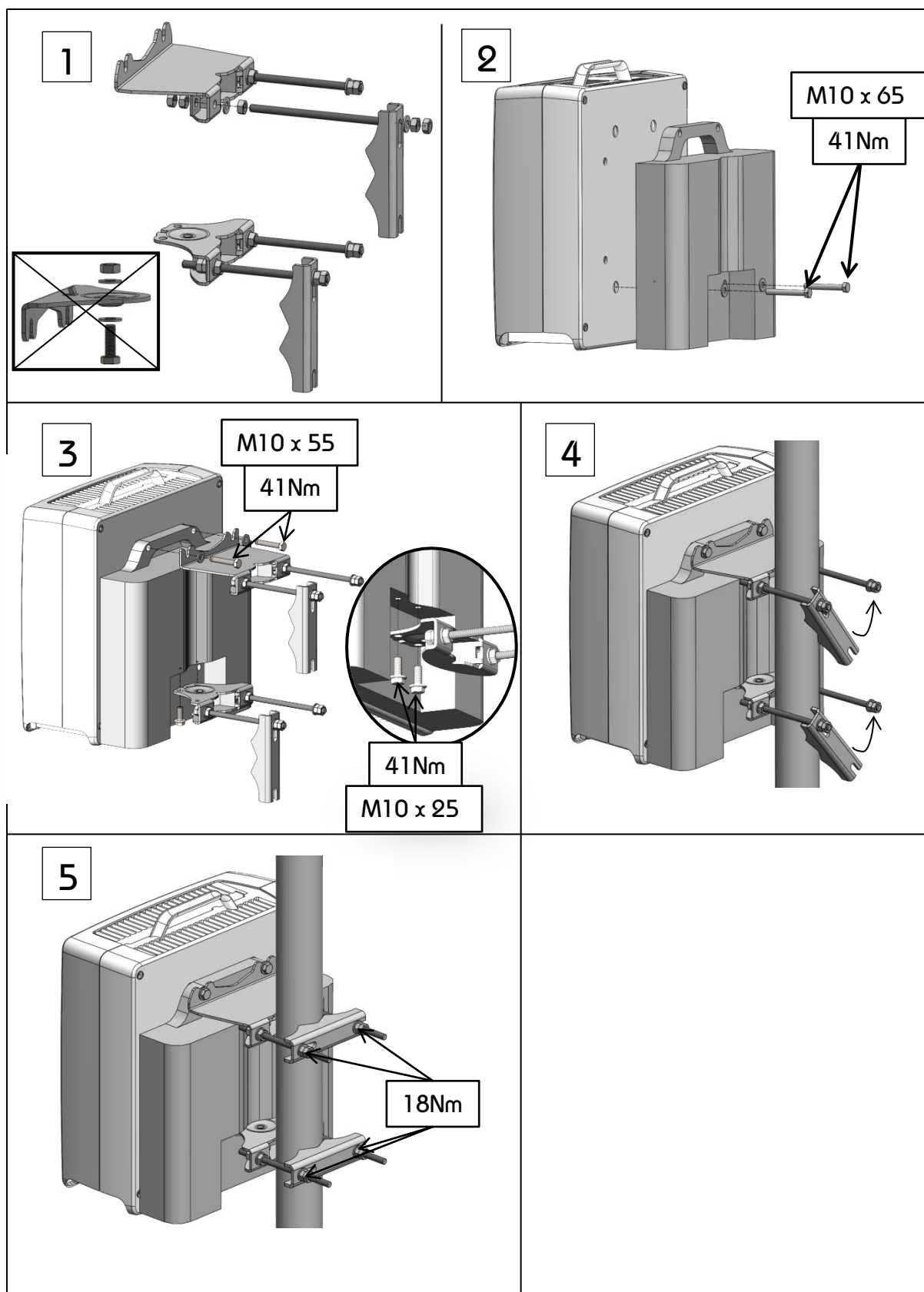
Mounting procedure

Pole mount, PSU optional



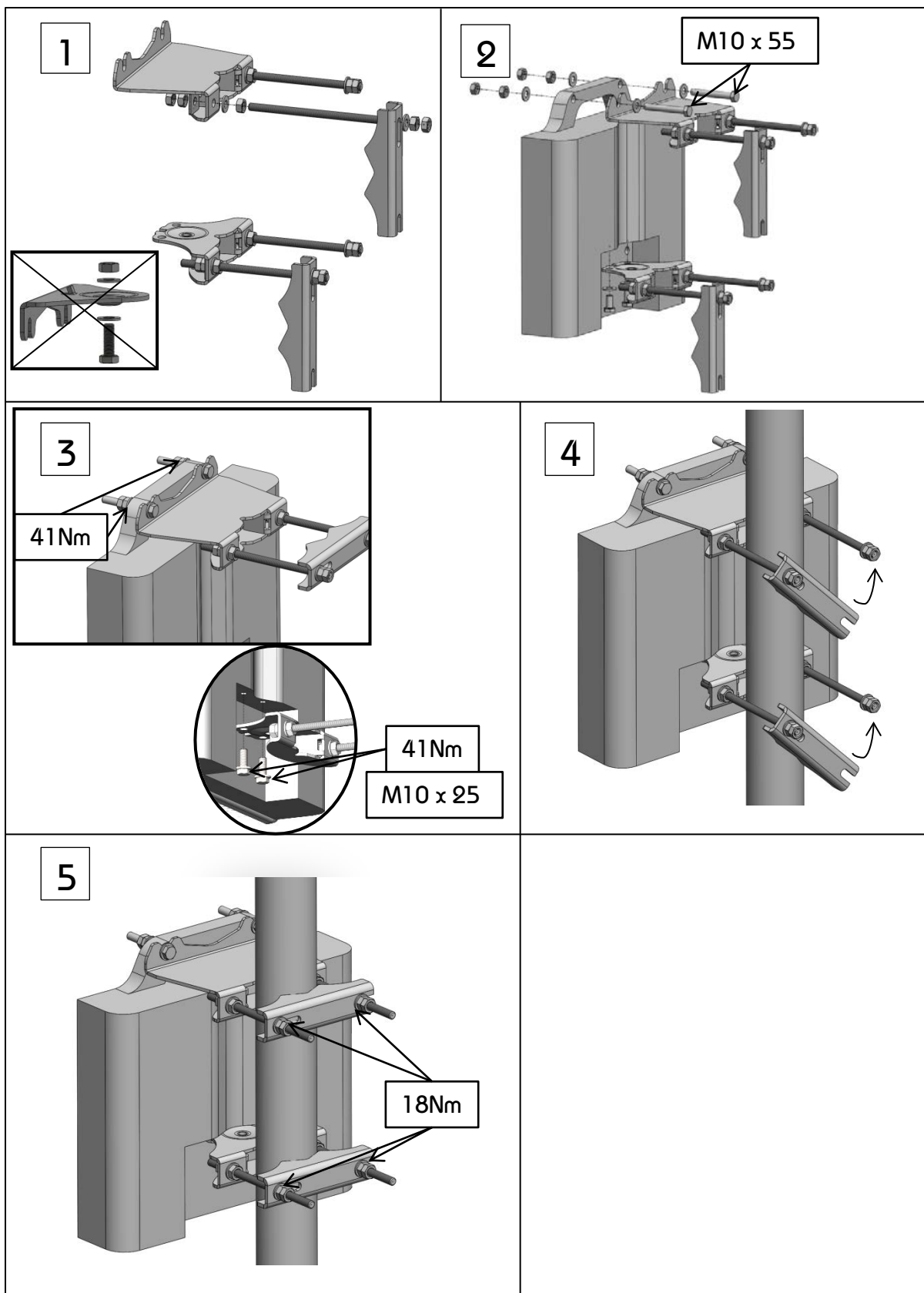
Mounting Description RRU support

Pole mount with A2 unit



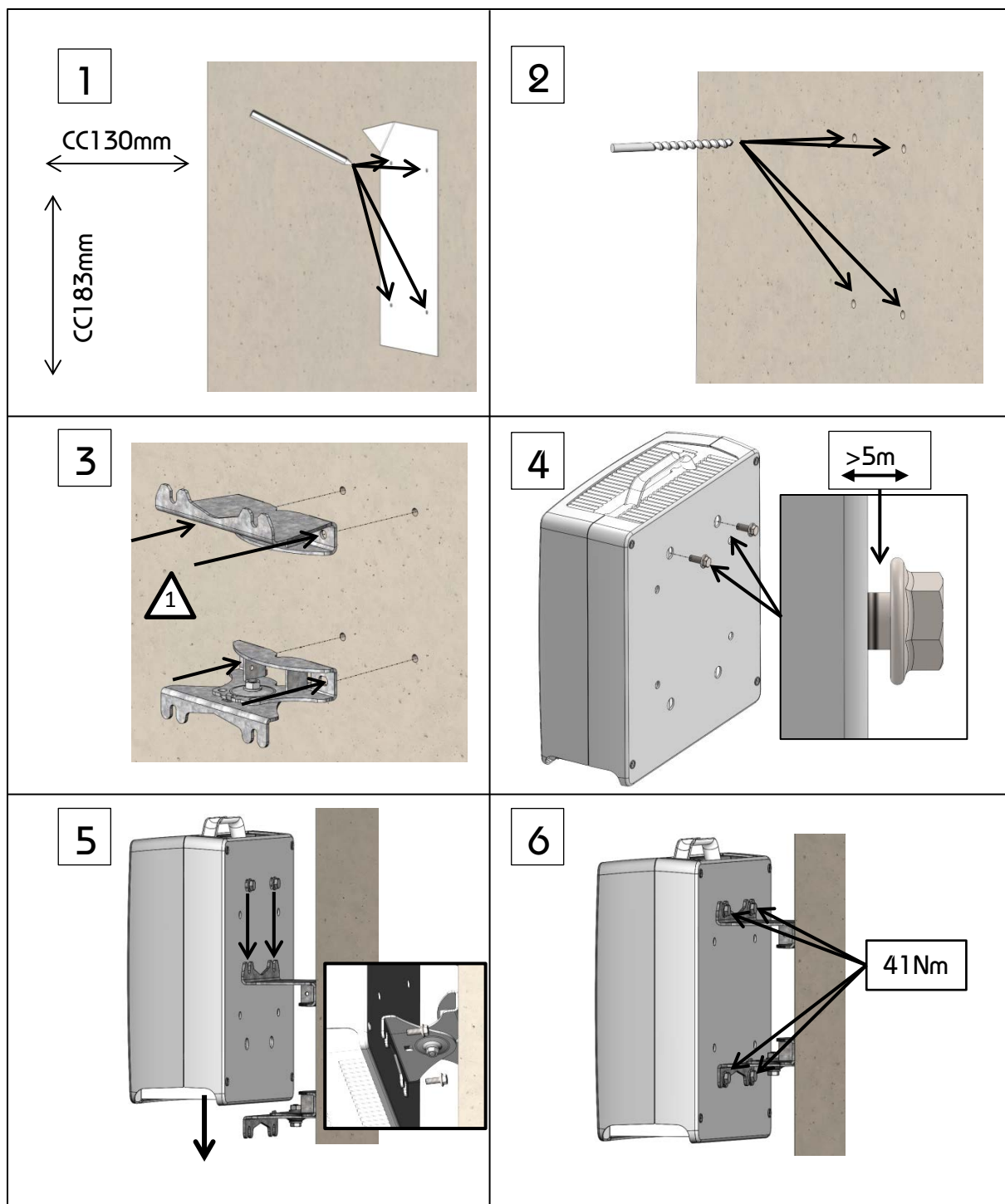
Mounting Description RRU support

Pole mount with single R2 unit



Mounting Description RRU support

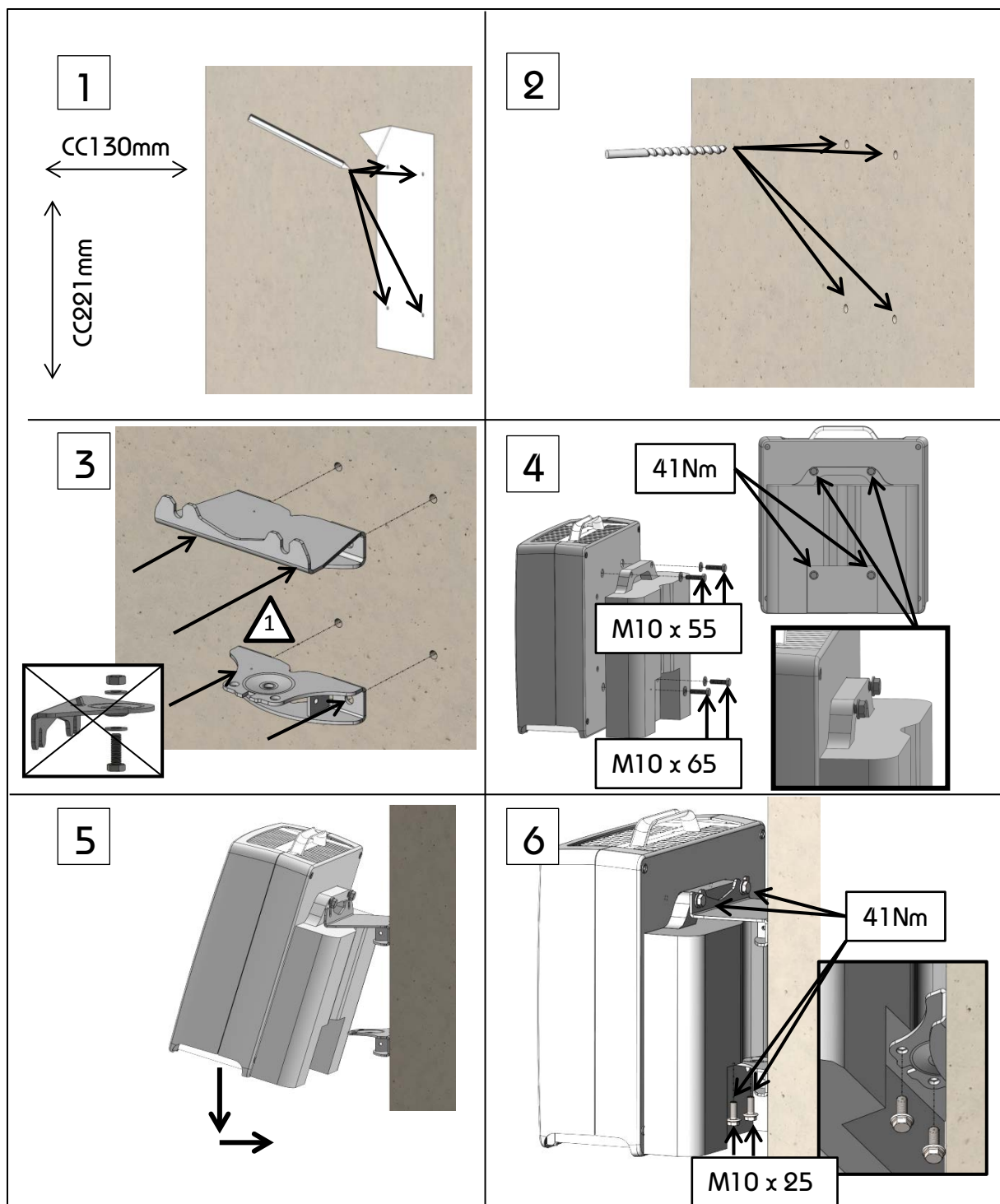
Wall mount



1 Follow local building regulations and instructions and ensure use of approved fasteners. MAFI AB, the product manufacturer, does not warrant other than the product during mounting onto wall, roof or other similar assemblies.

Mounting Description RRU support

Wall mount with A2 unit



1 Follow local building regulations and instructions and ensure use of approved fasteners. MAFI AB, the product manufacturer, does not warrant other than the product during mounting onto wall, roof or other similar assemblies.