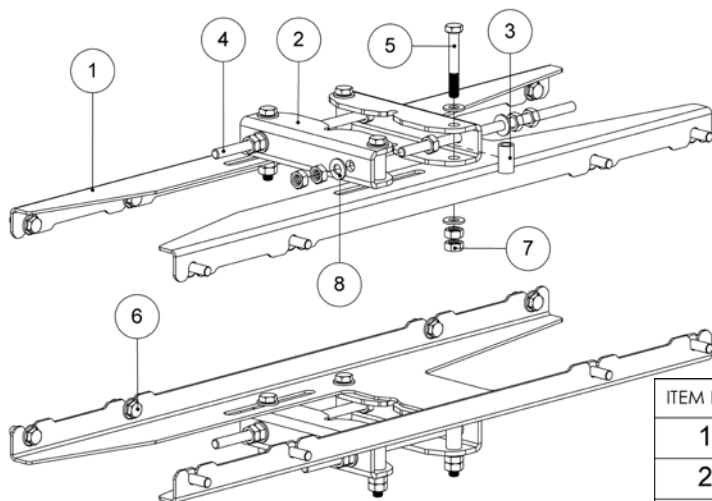


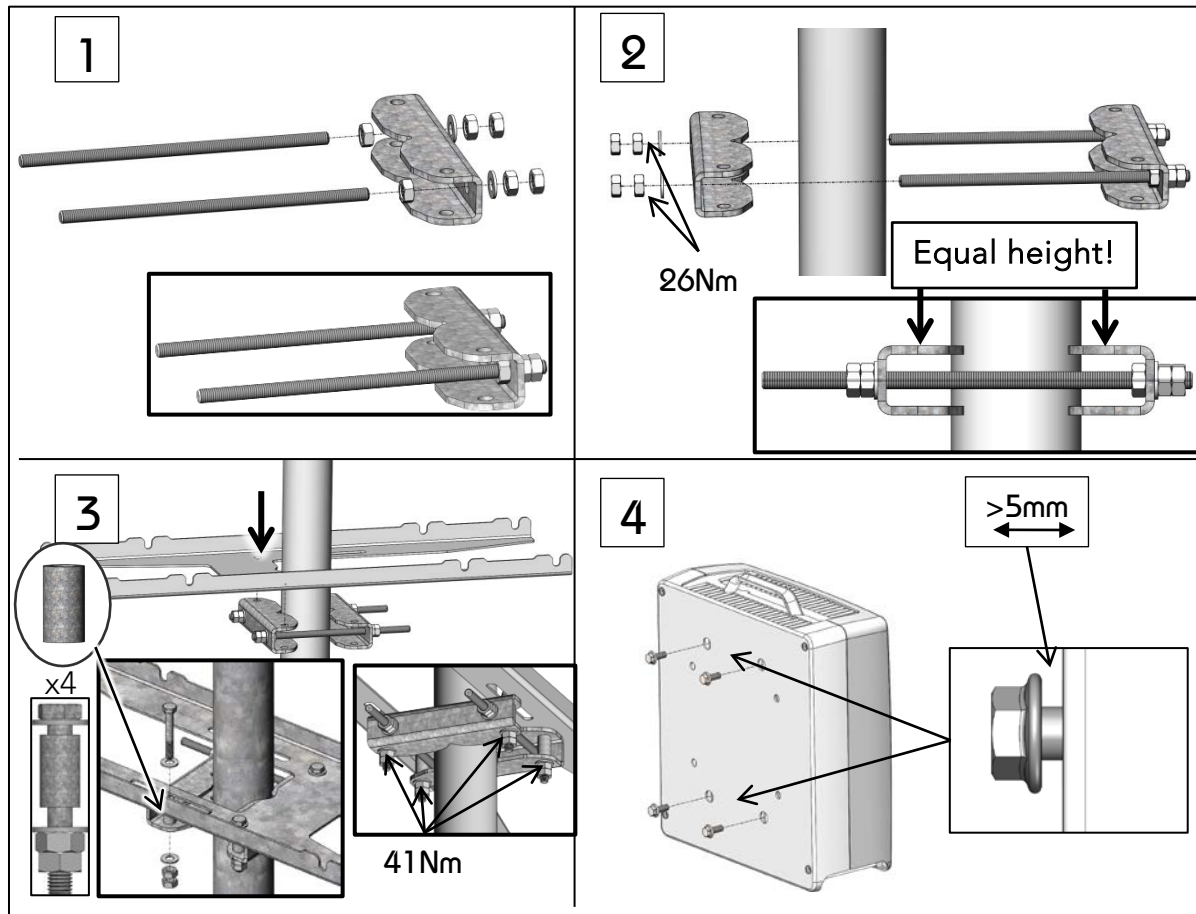
Mounting Description Quattro RRU Support

Package content

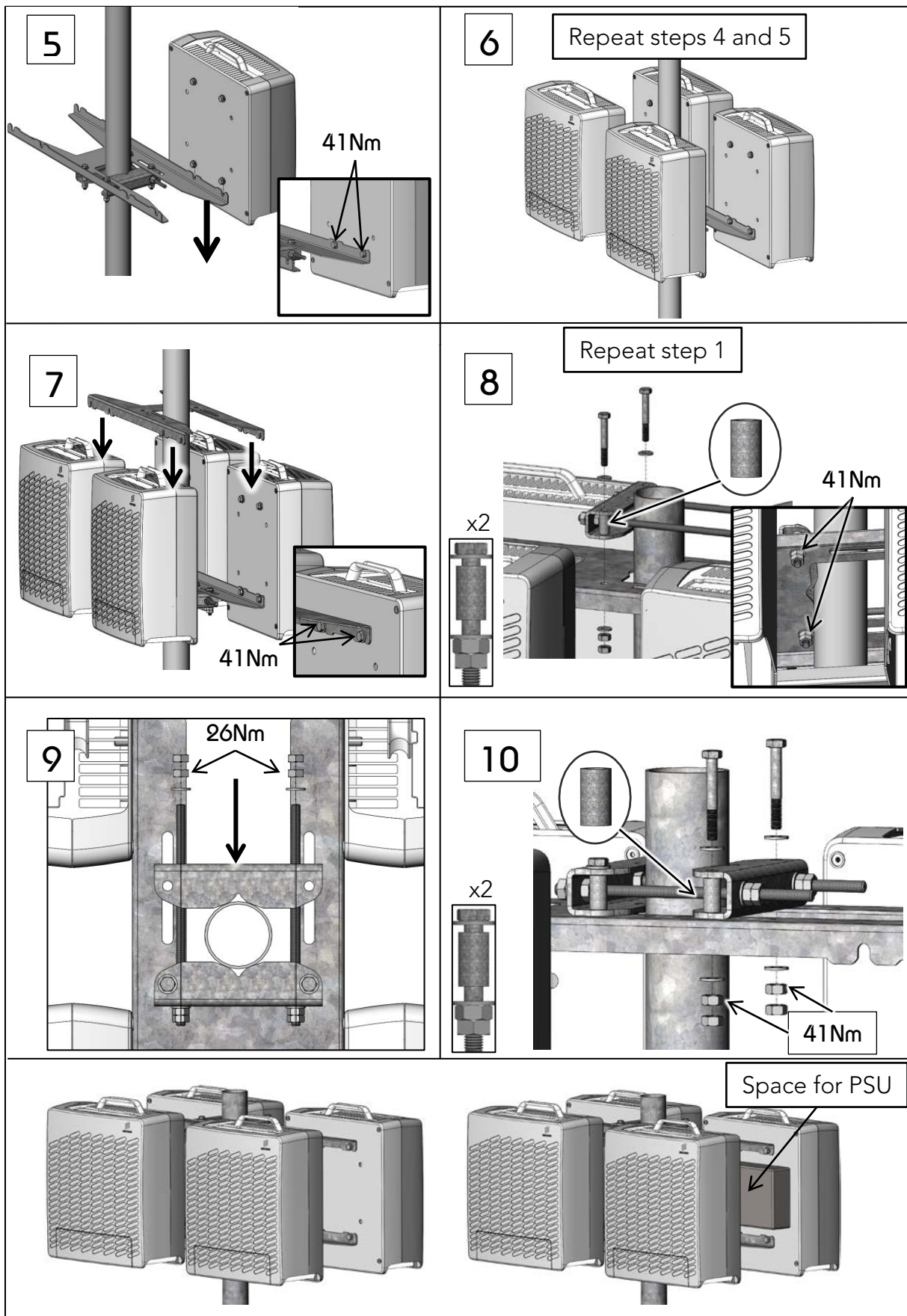


ITEM NO.	QTY.	Description
1	2	Quattro RRU plate
2	4	Clamp for rru plates
3	8	Spacer bushing
4	4	Threaded rod M10x250 mm
5	8	Bolt M10x70
6	16	Flange bolt M10x25
7	36	Nut M10
8	24	Washer 10.5x22x2

Mounting procedure, alt. 1

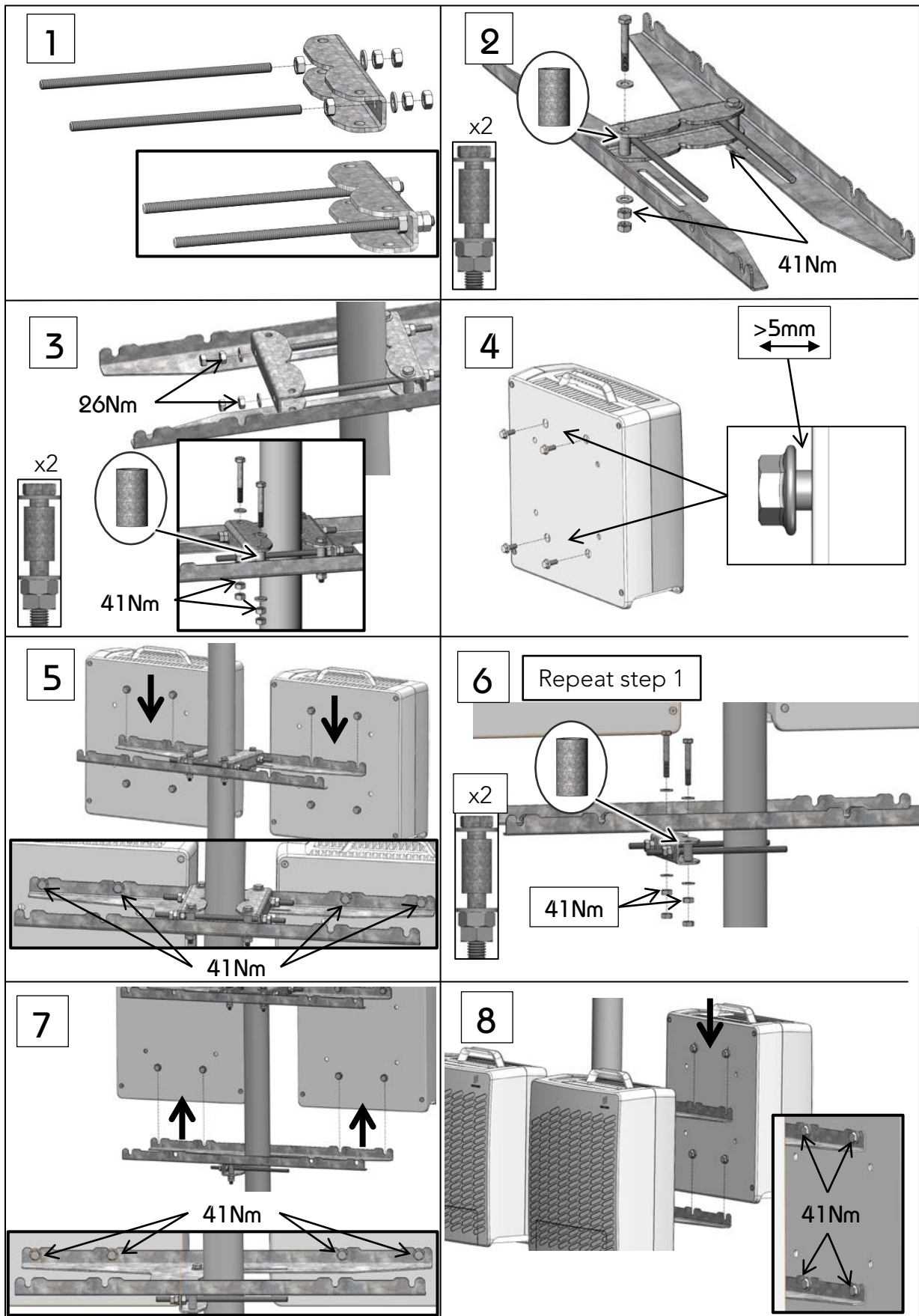


Mounting Description Quattro RRU Support

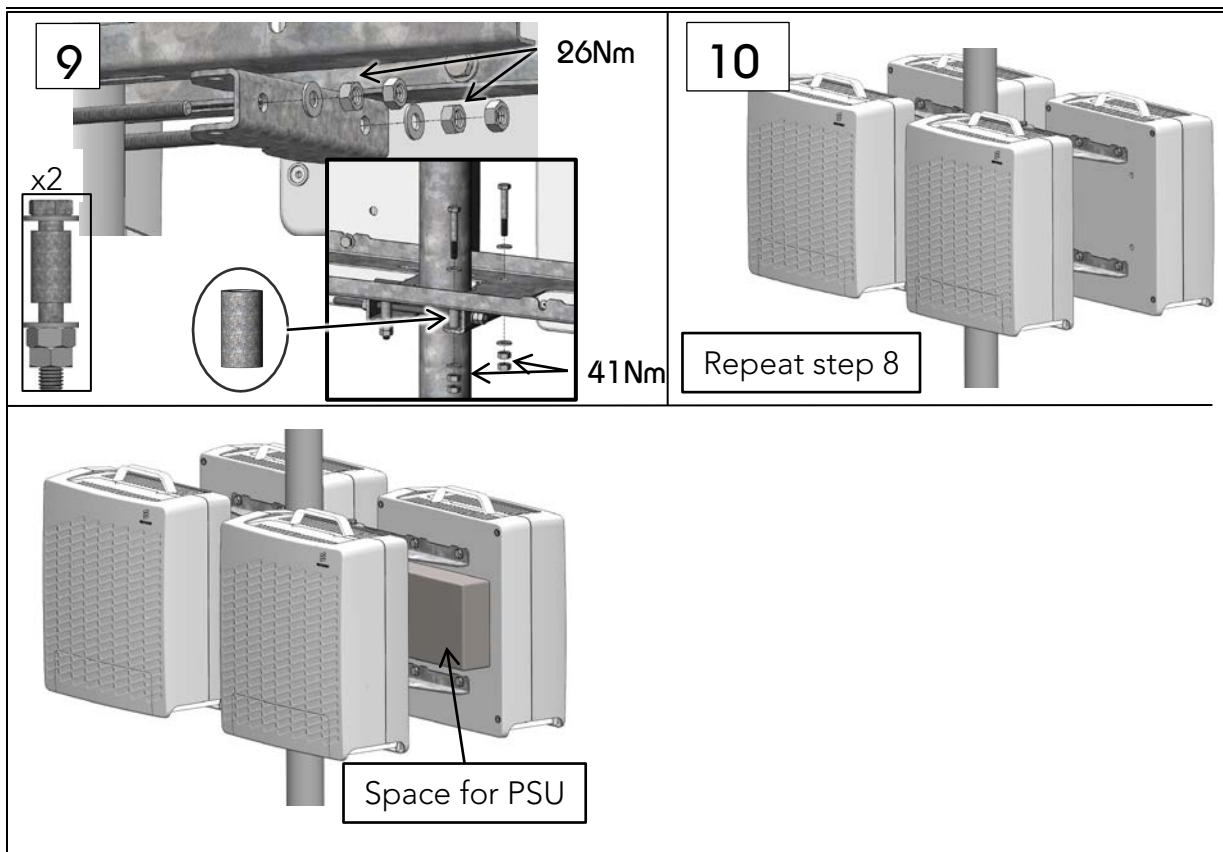


Mounting Description Quattro RRU Support

Mounting procedure, alt. 2



Mounting Description Quattro RRU Support



The tightening torques recommended in this mounting description presupposes bolts, threaded rods and nuts in delivery state. Nuts are to be lubricated before assembly. Check that the supporting structure can safely carry the loads applied to it by the MAFI product.