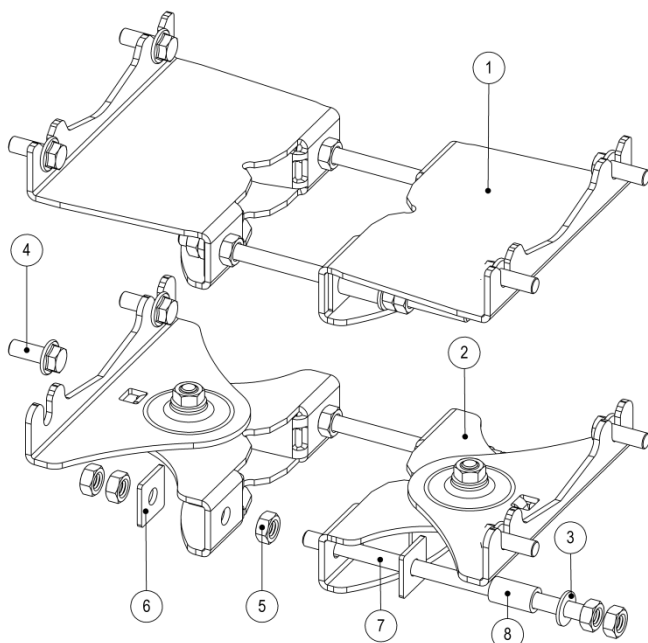


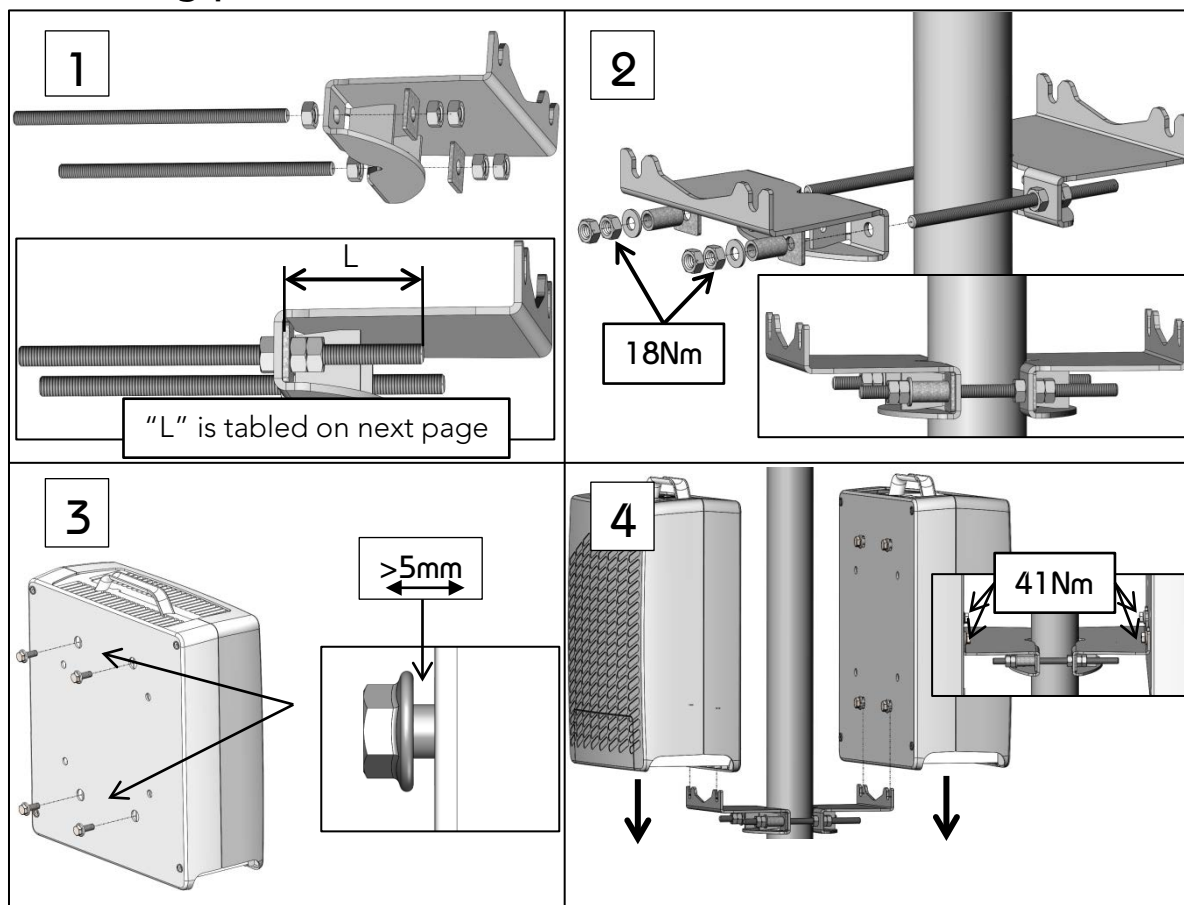
Mounting Description Double RRU support

Package content

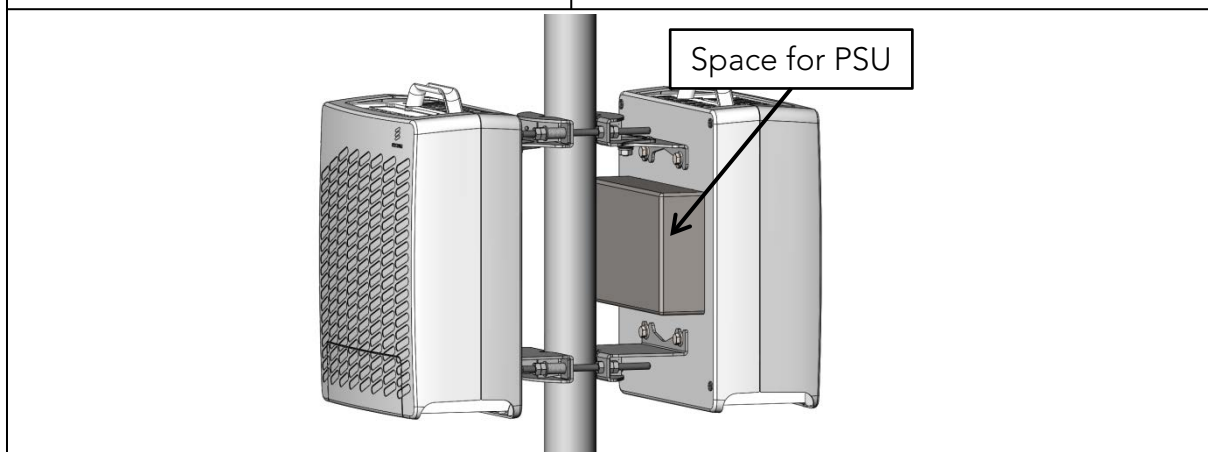
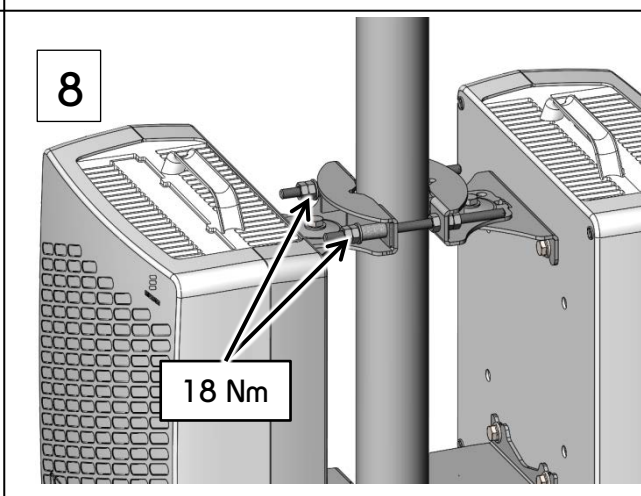
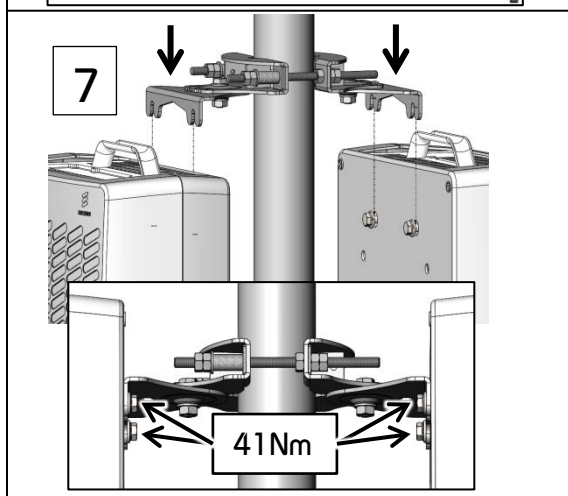
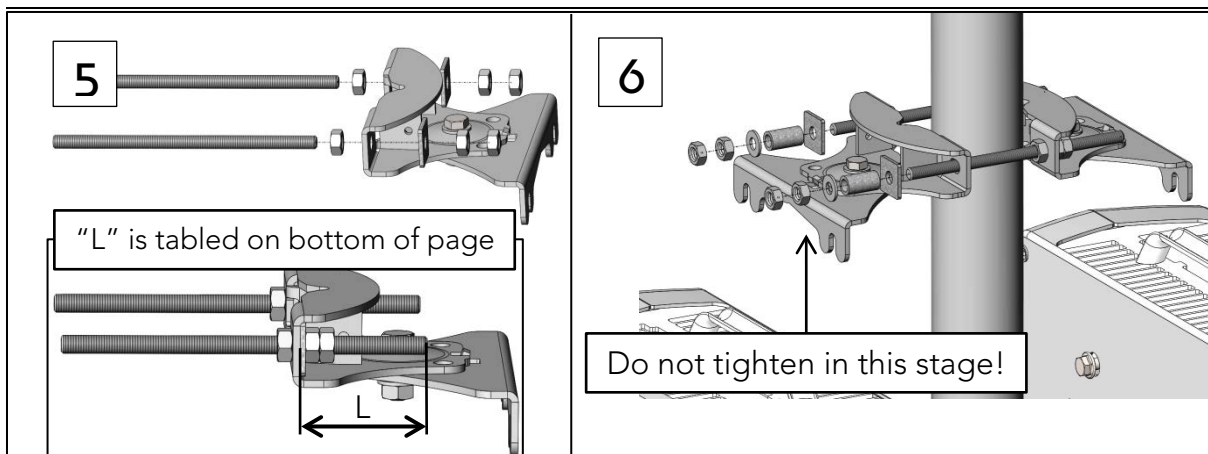


ITEM NO.	QTY.	Description
1	2	Single RRU clamp
2	2	Lower RRU clamp
3	8	Washer 10.5x22x2
4	8	Flange bolt M10x25
5	26	Nut M10
6	8	WASHER S4B 11x30 FZV
7	4	Threaded rod M10x200 mm FZV
8	4	Spacer bushing

Mounting procedure RRU with PSU



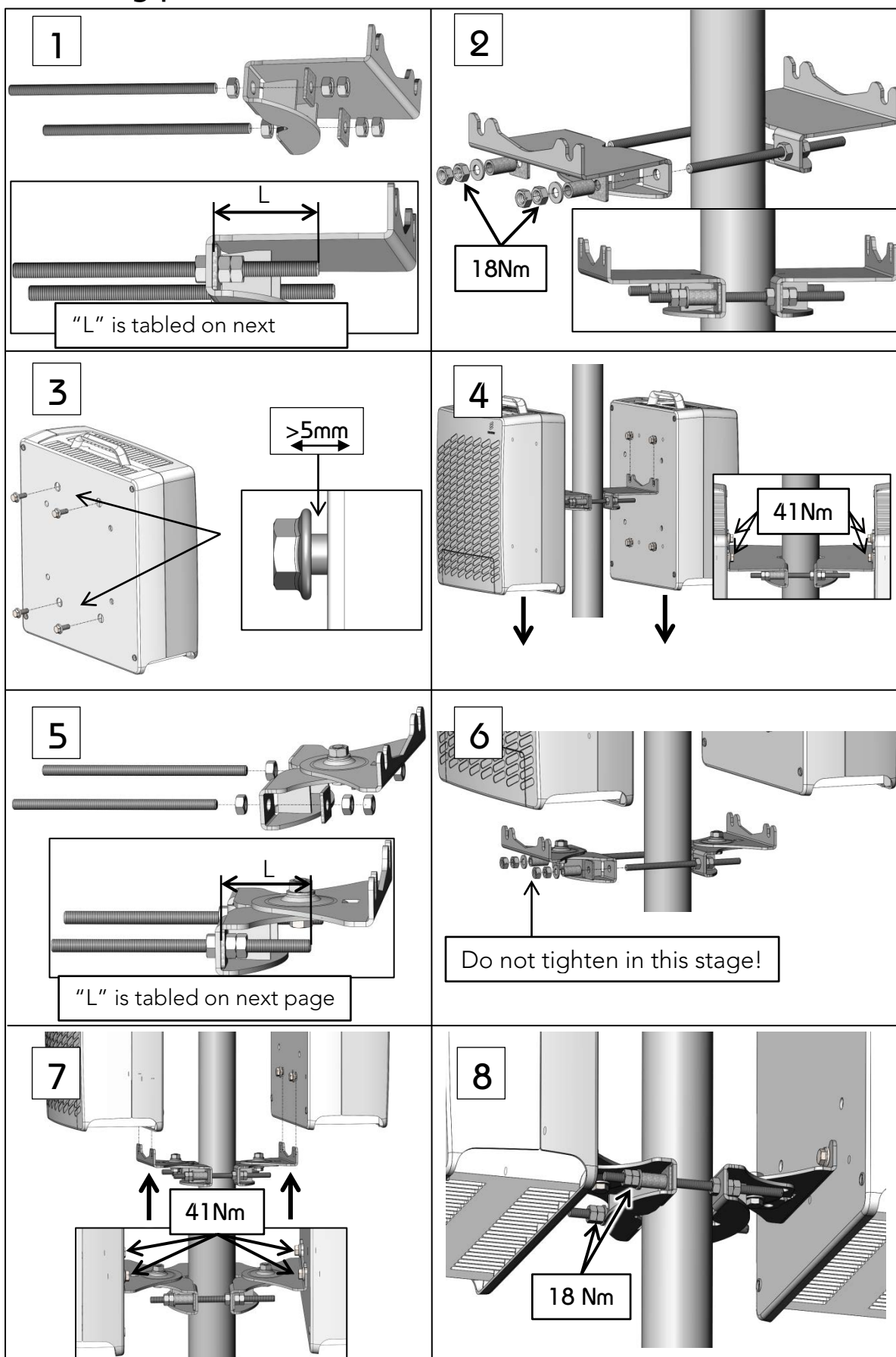
Mounting Description Double RRU support



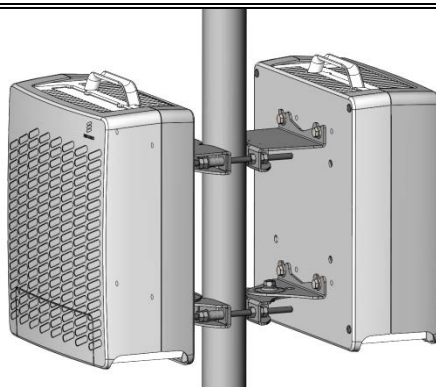
Tube Ø [mm]	L [mm]	Square tube [mm]	L [mm]
40,0	90	40x40	90
50,0	85	50x50	80
60,3	80	60x60	75
76,1	70	70x70	70
88,9	65	80x80	60
101,6	55		
114,3	45		

Mounting Description Double RRU support

Mounting procedure without A2 unit and no PSU



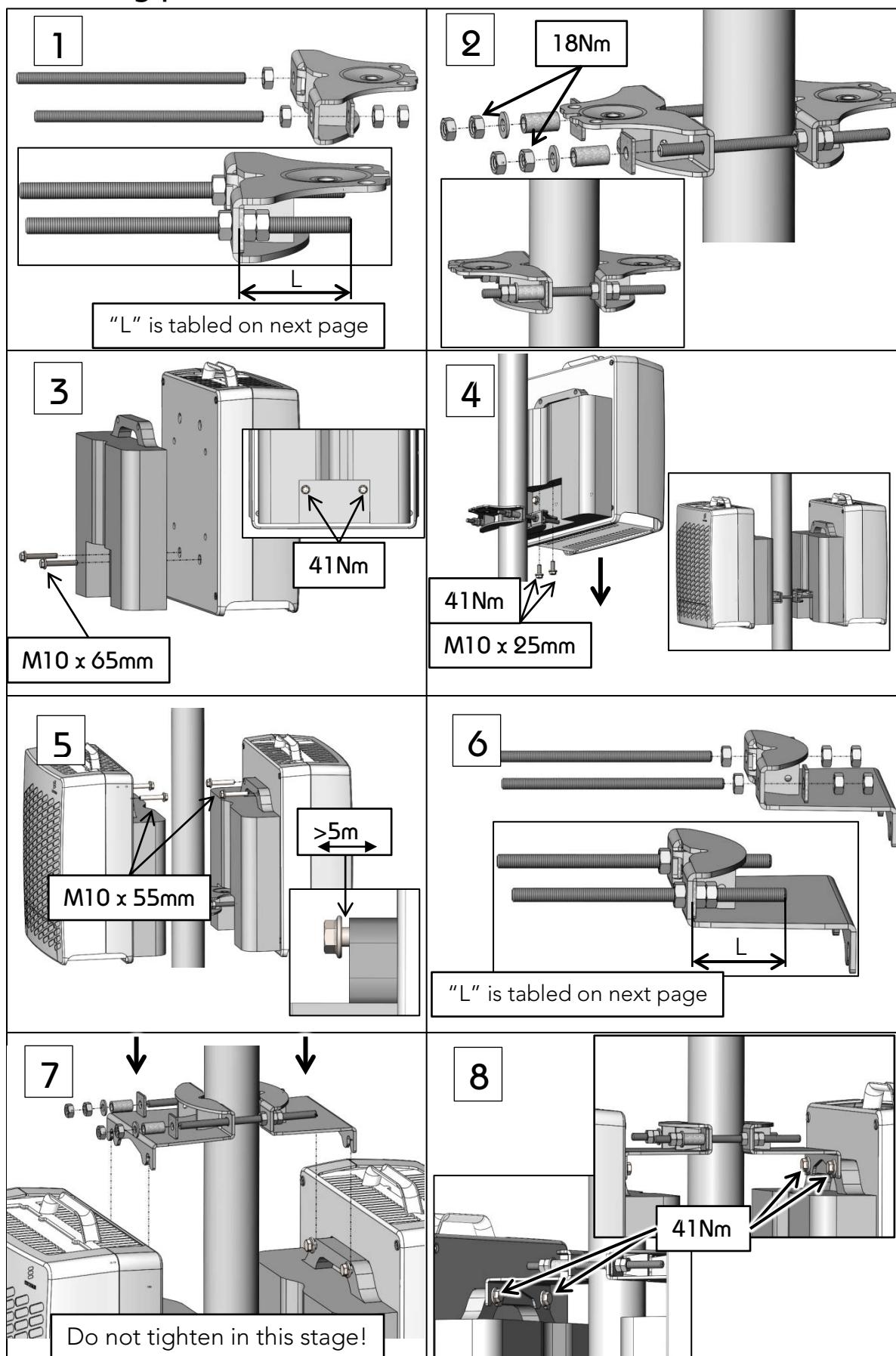
Mounting Description Double RRU support



Tube Ø [mm]	L [mm]	Square tube [mm]	L [mm]
40,0	90	40x40	90
50,0	85	50x50	80
60,3	80	60x60	75
76,1	70	70x70	70
88,9	65	80x80	60
101,6	55		
114,3	45		

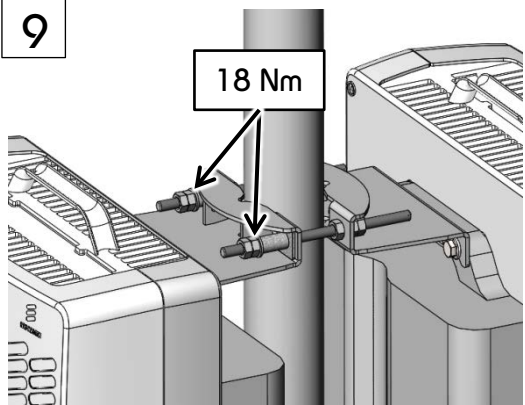
Mounting Description Double RRU support

Mounting procedure RRU with two A2 units

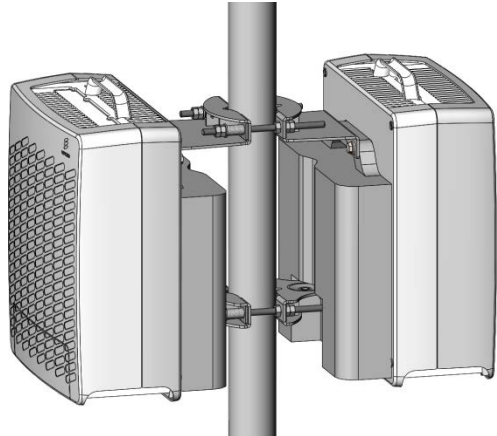


Mounting Description Double RRU support

9



18 Nm



Tube Ø [mm]	L [mm]	Square tube [mm]	L [mm]
40,0	90	40x40	90
50,0	85	50x50	80
60,3	80	60x60	75
76,1	70	70x70	70
88,9	65	80x80	60
101,6	55		
114,3	45		

The tightening torques recommended in this mounting description presupposes bolts, threaded rods and nuts in delivery state. Nuts are to be lubricated before assembly. Check that the supporting structure can safely carry the loads applied to it by the MAFI product.