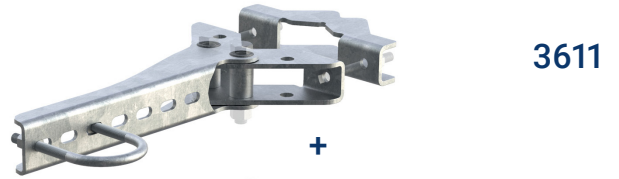
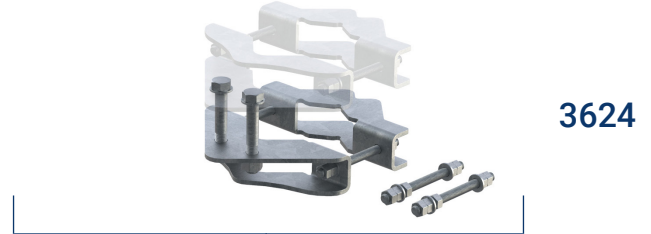


Optional Kit MSS Tower Leg Offset

MAFI 3624



3611



3624



3622

About the Product

Optional kit for enhancing the torque resistance capacity of **3611**.

Upgrade an existing **3611** to either a **3622** or **3623** by adding this modular kit.

How to Order

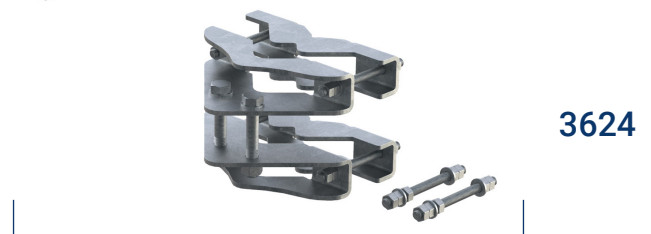
To order, please contact MAFI quoting article number:

3624

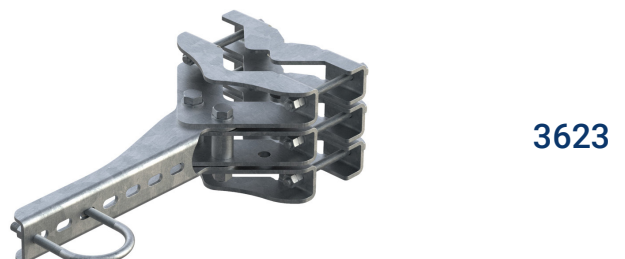
Please visit <https://www.mafigroup.com/how-to-order/> for regional contact information.



3611



3624

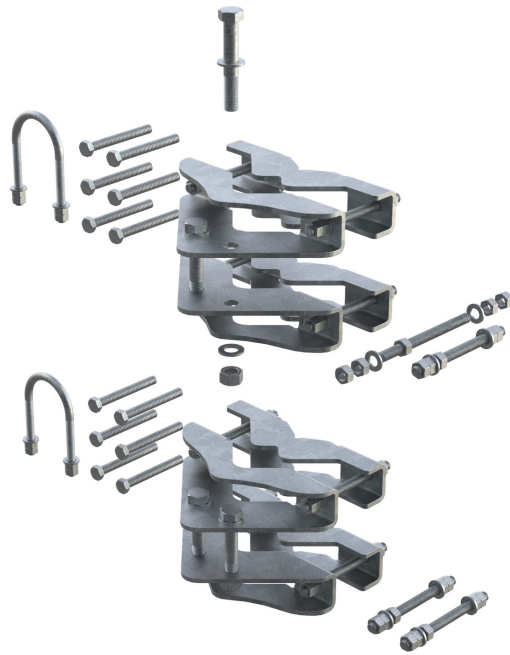


3623



3624

Content of kit



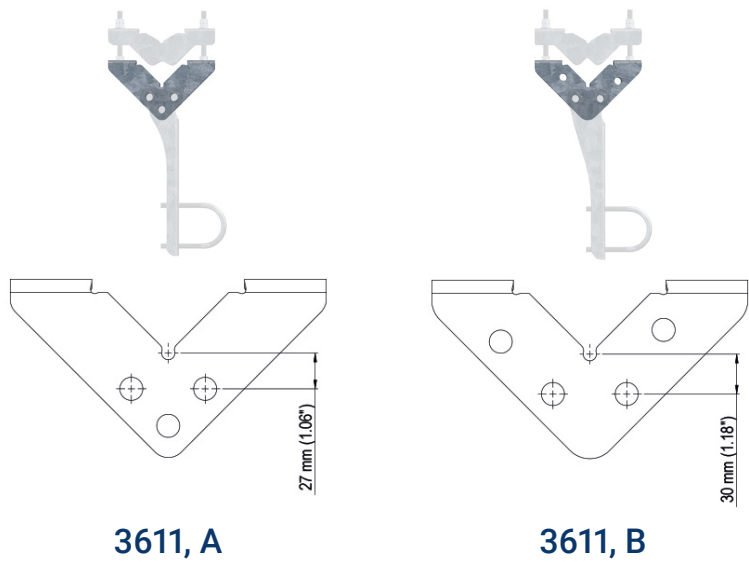
Performance

See data sheet for MAFI **3622** and/or **3623** for technical specifications.

Bolts, washers, nuts and threaded rods must always be replaced. All necessary fasteners for this are included.

Compatibility

This optional kit is compatible with MAFI **3611 Rev B** or later. It is not compatible with MAFI **3611 Rev A**.



3611, A

3611, B

Parts list

Part	Material	Quantity
Clamp	S355MC HDG	8
Threaded Rod M12	8.8 HDG	12
Fasteners	8.8 HDG	Incl.

Package data

Product	Length mm (")	Width mm (")	Height mm (")	Weight kg (lb)
3624	430 (16.9)	255 (10)	68 (2.7)	16.3 (35.9)

Product fit

3611 rev B or later: Vertical Tower Leg Offset