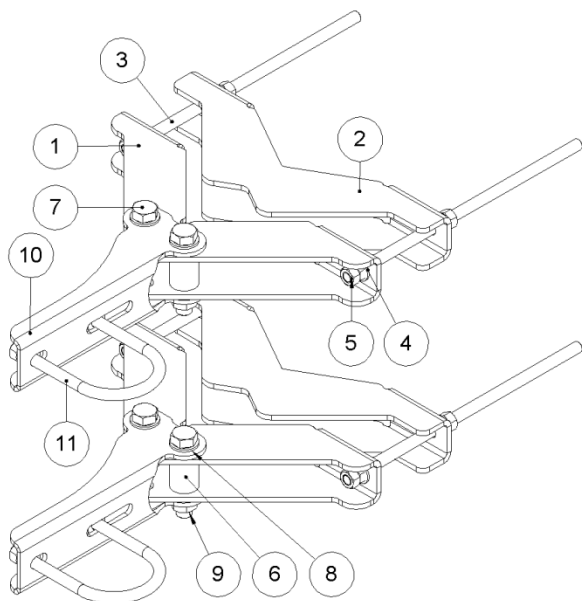


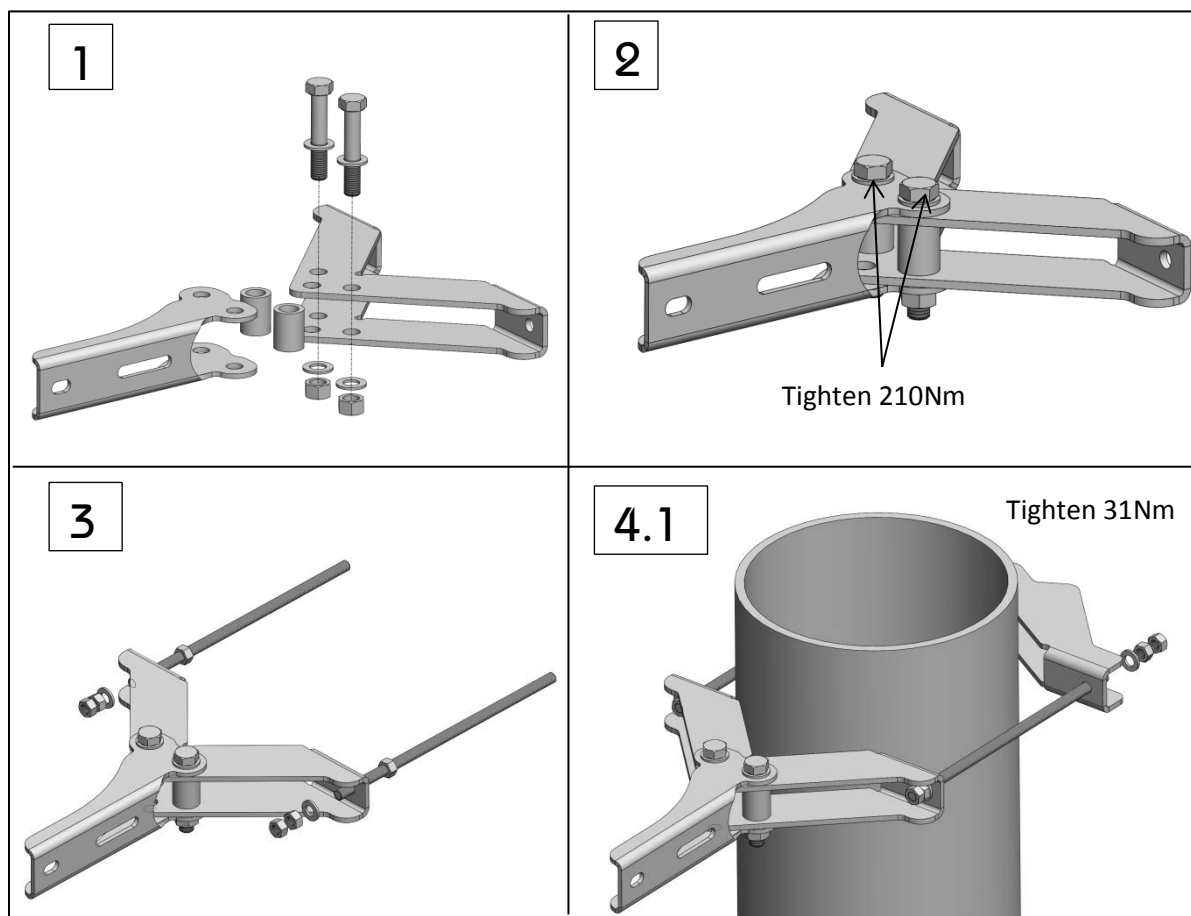
Mounting Description 3615

Package content



Pos	QTY.	Description
1	2	Front clamp Large
2	2	Back clamp large
3	4	Threaded rod M12x330
4	8	Washer 13x24x2,5
5	20	Nut M12
6	4	Bushing
7	4	Bolt M16x90
8	8	Washer 17x30x2,5mm
9	4	Nut M16
10	2	Offset arm short
11	2	U-bolt M12 C-C 92mm, Nuts and washers

Mounting procedure



Mounting Description 3615

