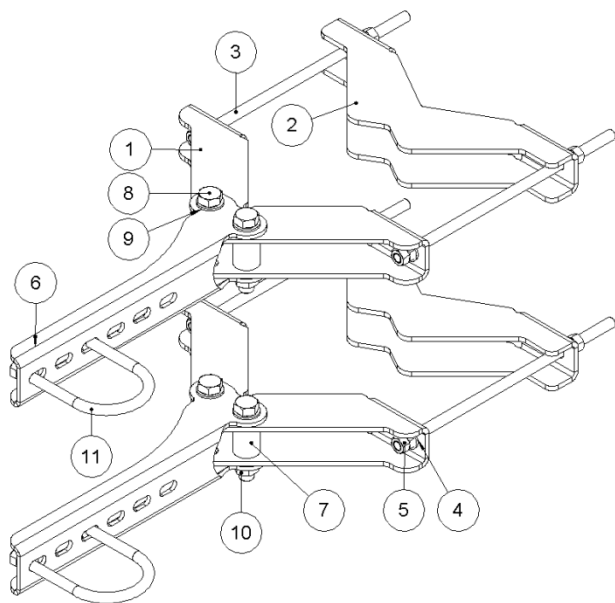


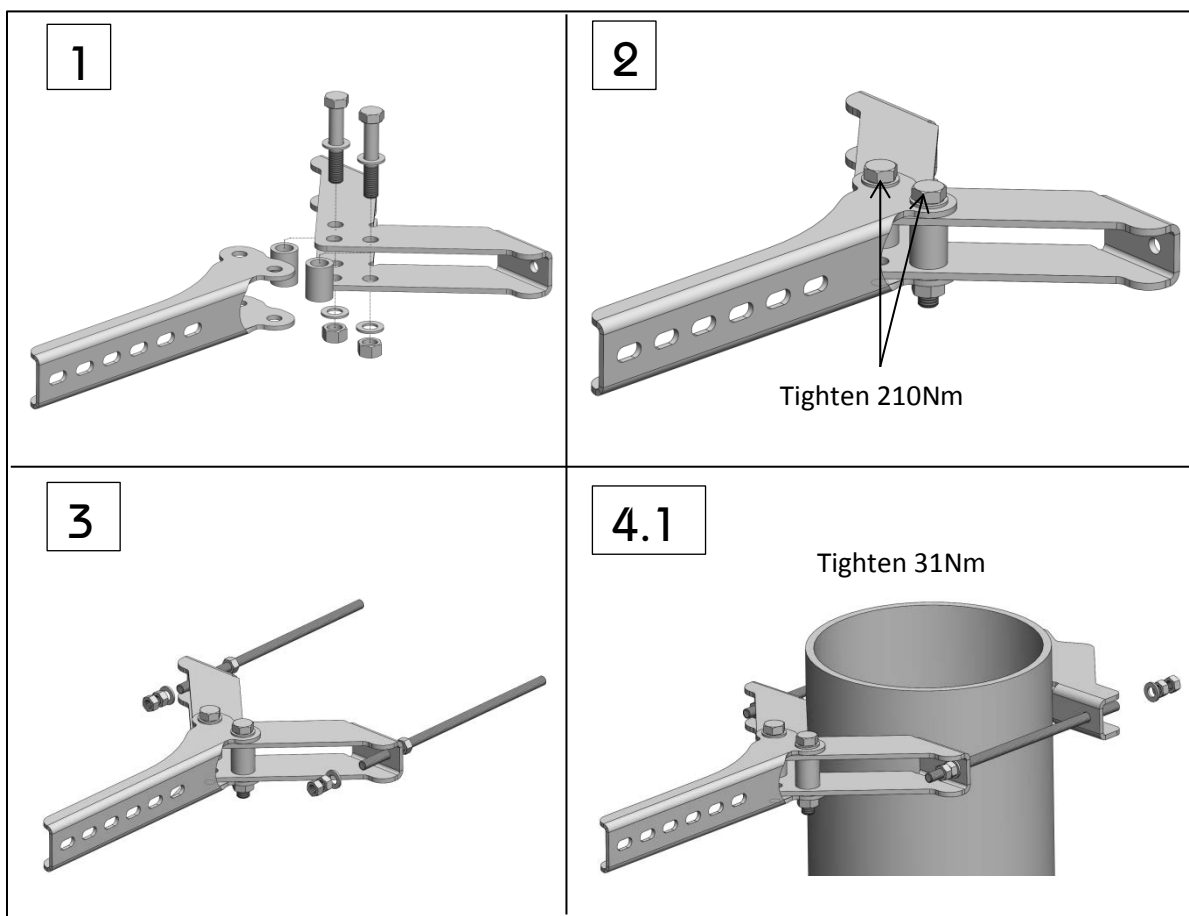
# Mounting Description 3614

## Package content



Pos	QTY.	Description
1	2	Front clamp Large
2	2	Back clamp large
3	4	Threaded rod M12x330
4	8	Washer 13x24x2,5
5	20	Nut M12
6	2	Offset arm long
7	4	Bushing
8	4	Bolt M16x90
9	8	Washer 17x30x2,5mm
10	4	Nut M16
11	2	U-bolt M12 C-C 92mm, Nuts and washers

## Mounting procedure



# Mounting Description 3614

