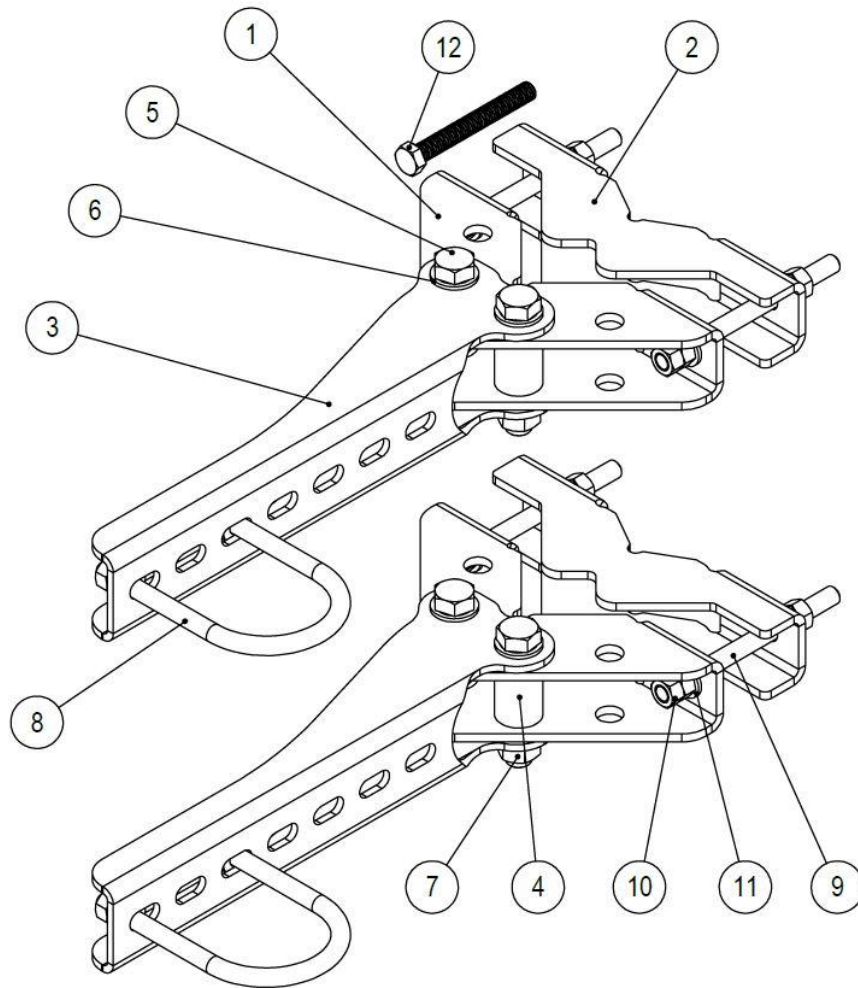
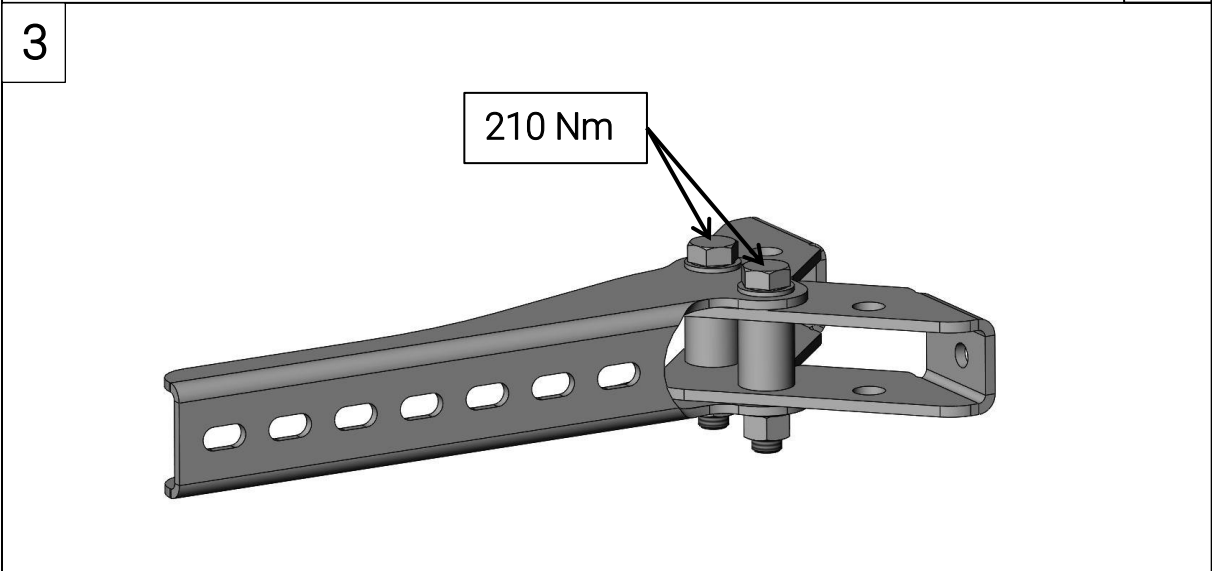
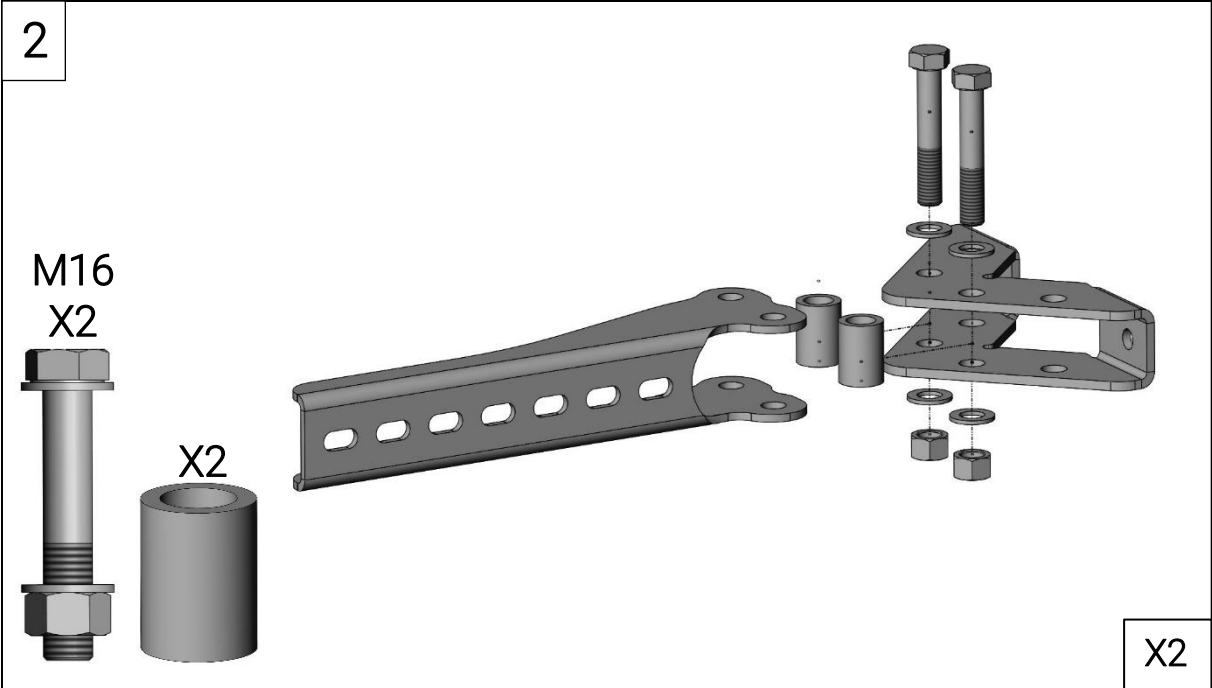
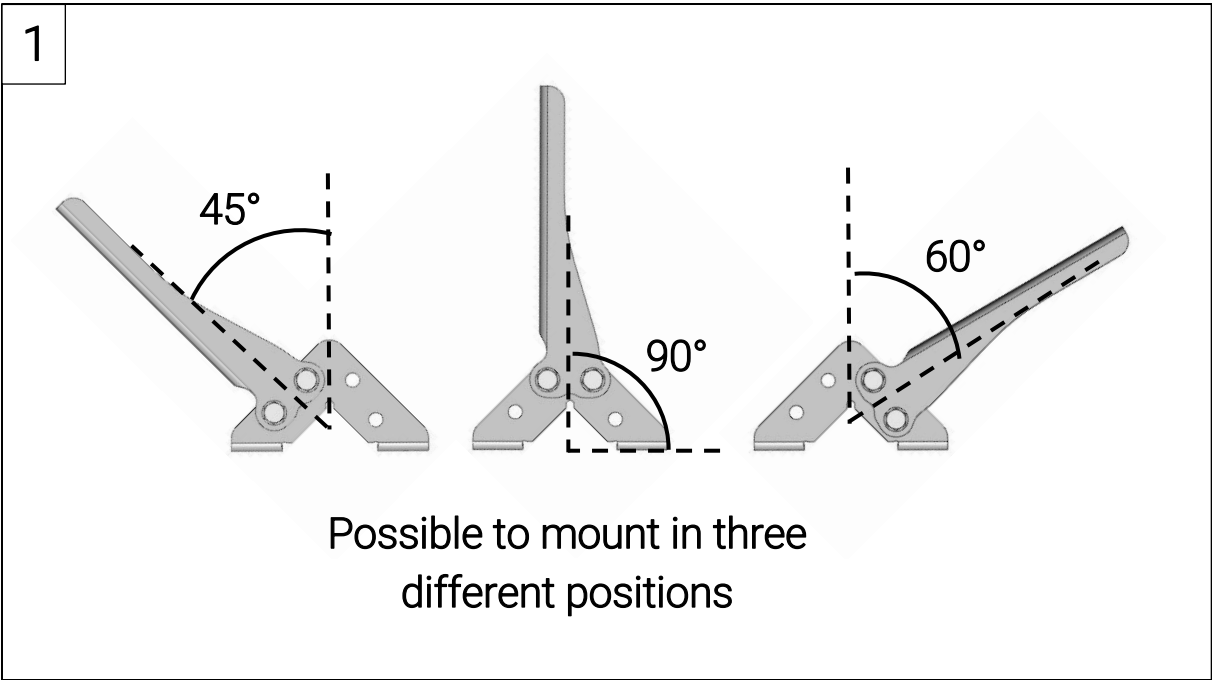


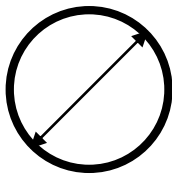
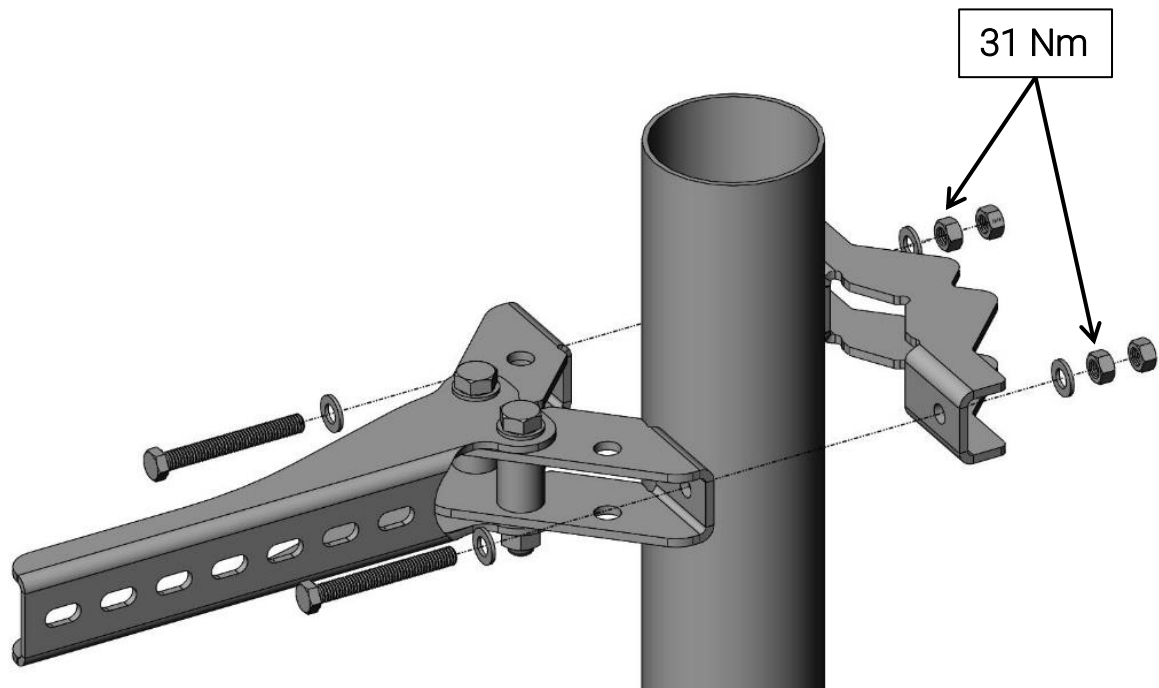
## Package content



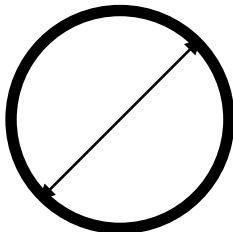
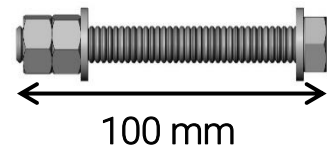
ITEM NO.	QTY	Description
1	2	Front clamp
2	2	Back clamp
3	2	Offset arm long
4	4	Bushing
5	4	Bolt M16x90
6	8	Washer 17x30x2,5mm
7	4	Nut M16
8	2	U-bolt M12 C-C 92mm, Nuts and washers
9	4	Threaded rod M12x150
10	20	Nut M12
11	8	Washer 13x24x2,5
12	4	Bolt M12x100



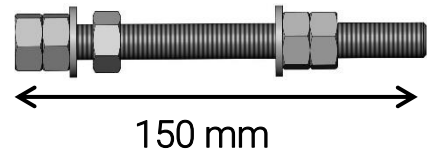
4



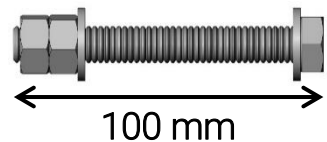
Tube  
 $\text{Ø}76.1 - 114.3 \text{ mm}$   
 use bolt M12.

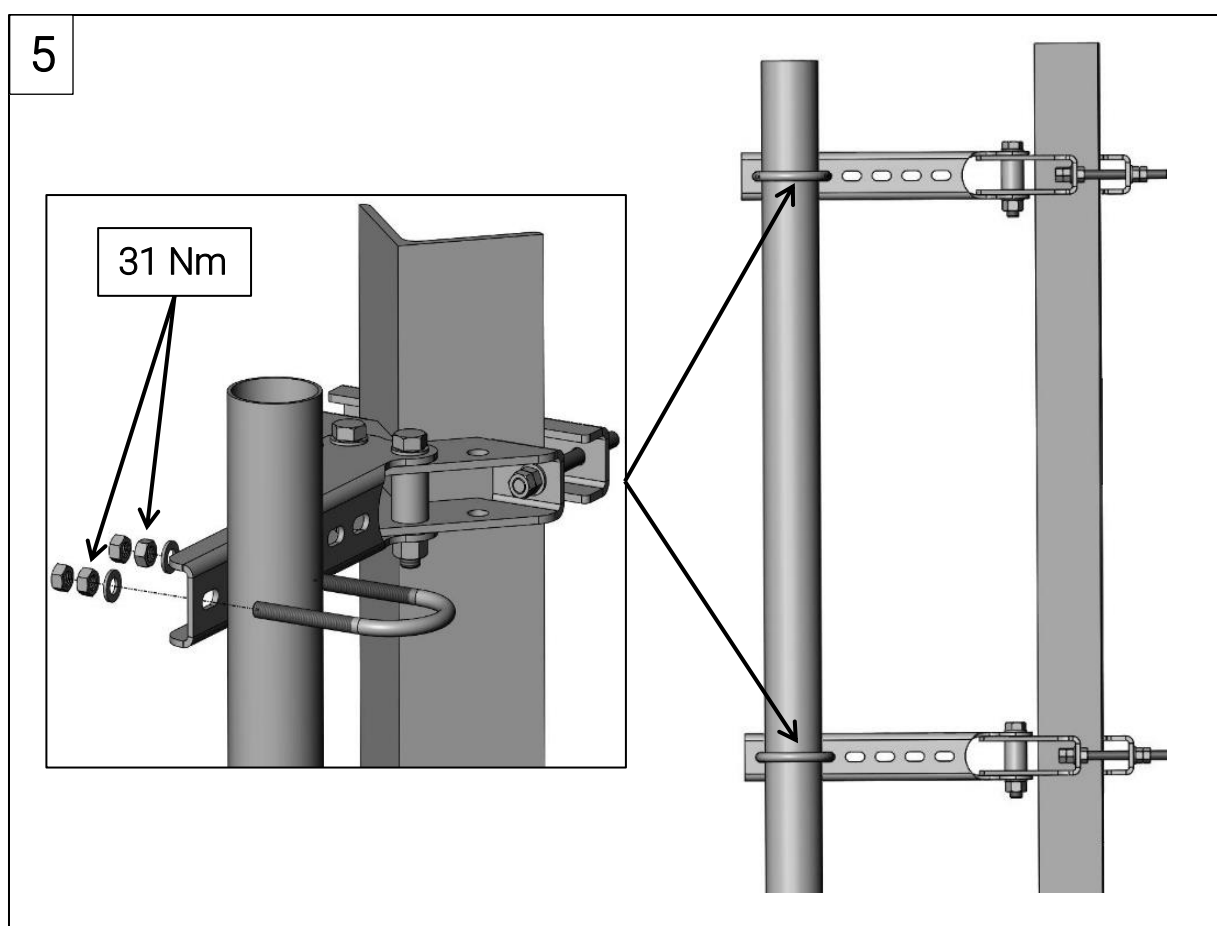


Tube  
 $\text{Ø}114.3 - 139.7 \text{ mm}$   
 use threaded rod.



Other parent member,  
 use bolt if possible.





The tightening torques recommended in this mounting description presupposes bolts, threaded rods and nuts in delivery state. Nuts are to be lubricated before assembly. Check that the supporting structure can safely carry the loads applied to it by the MAFI product.