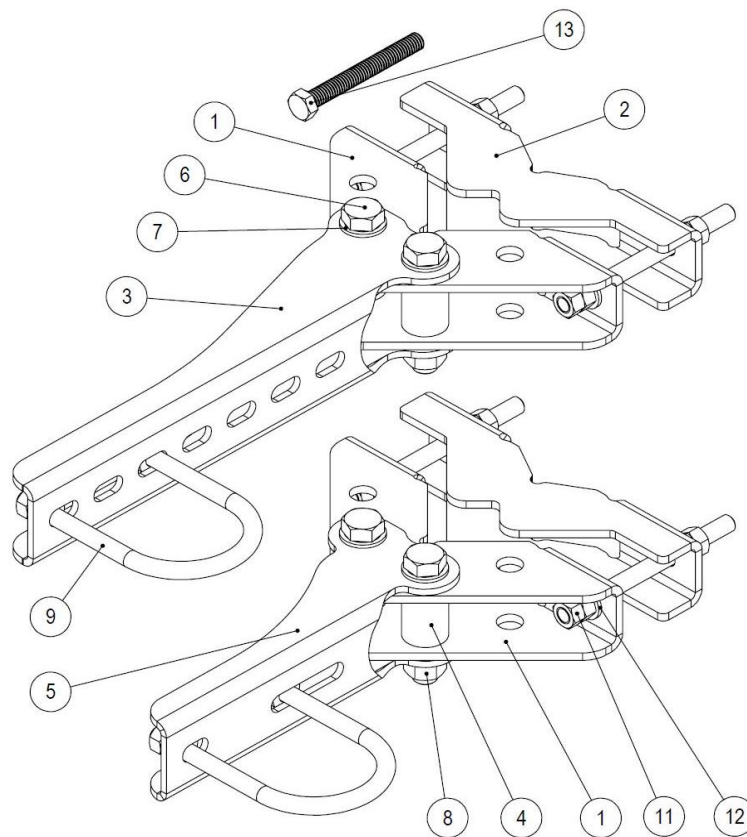


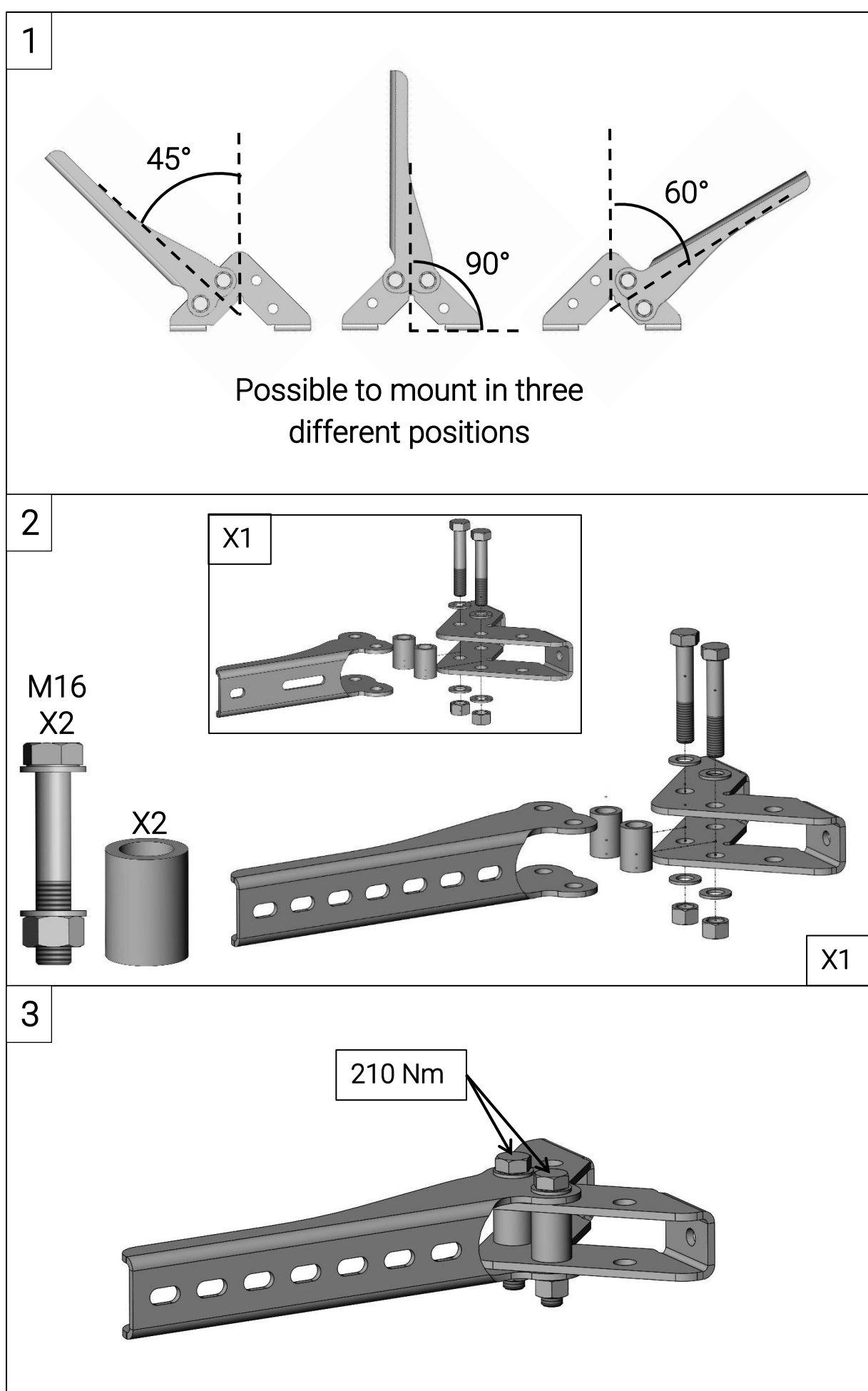
Package content



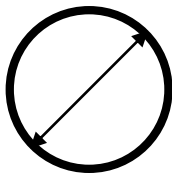
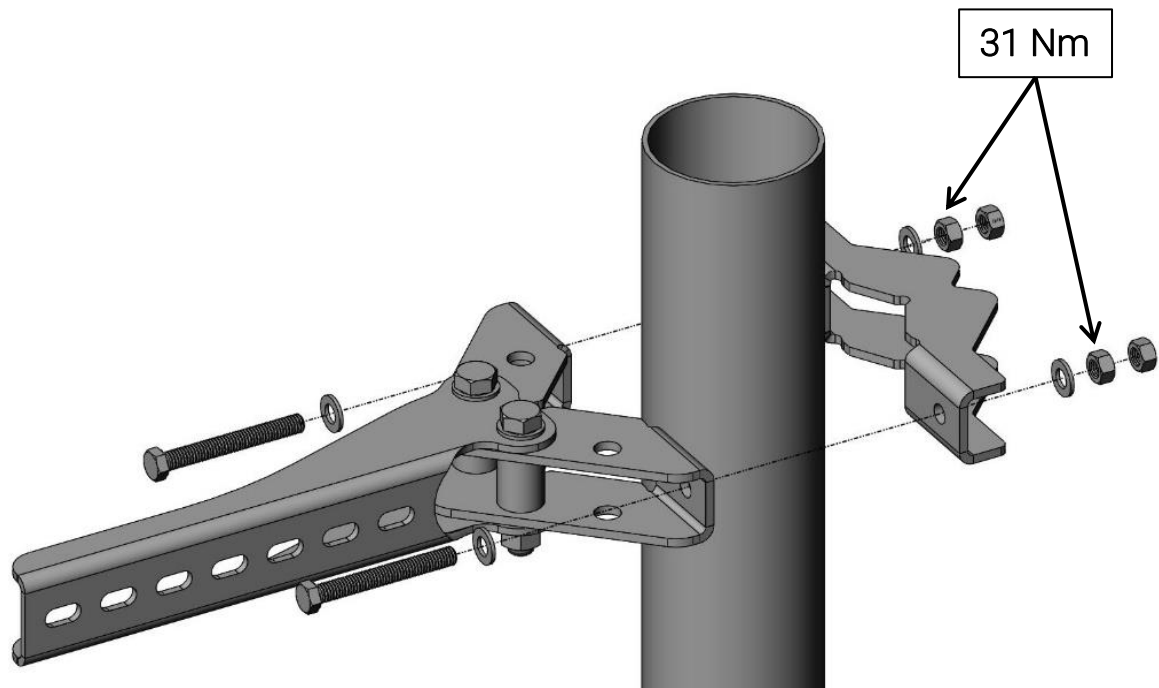
ITEM NO.	QTY	Description
1	2	Front clamp
2	2	Back clamp
3	1	Offset arm long
4	4	Bushing
5	1	Offset arm short
6	4	Bolt M16x90
7	8	Washer 17x30x2,5mm
8	4	Nut M16
9	2	U-bolt M12 C-C 92mm, Nuts and washers
10	4	Threaded rod M12x150
11	20	Nut M12
12	8	Washer 13x24x2,5
13	4	Bolt M12x100

Follow local building regulations and instructions and ensure use of approved fasteners. MAFI AB, the product manufacturer, does not warrant other than the product during mounting.

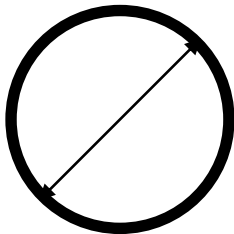
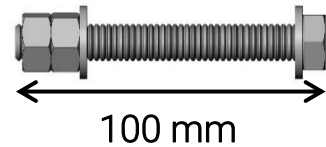
The tightening torques recommended in this mounting description presupposes bolts and nuts in delivery state. Nuts are to be lubricated before assembling. Check that the supporting structure can safely carry the loads applied to it by the MAFI product.



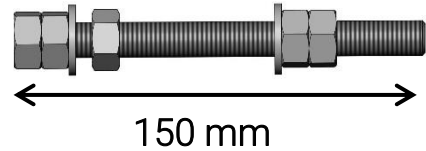
4



Tube
 $\text{Ø}76.1 - 114.3 \text{ mm}$
 use bolt M12.



Tube
 $\text{Ø}114.3 - 139.7 \text{ mm}$
 use threaded rod.



Other parent member,
 use bolt if possible.

