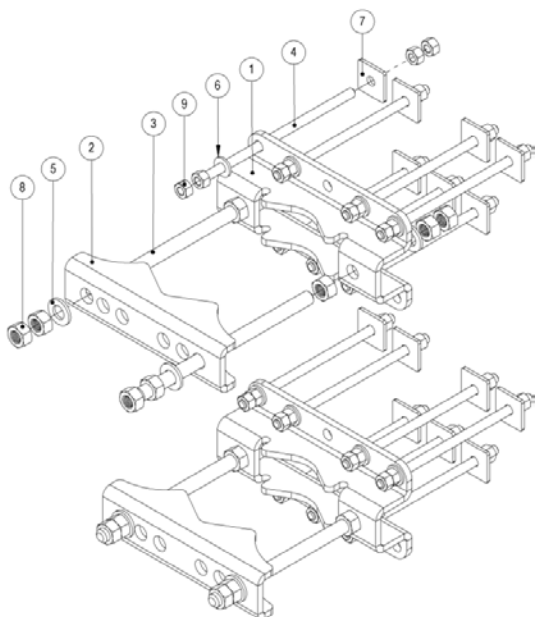


Mounting Description 3510

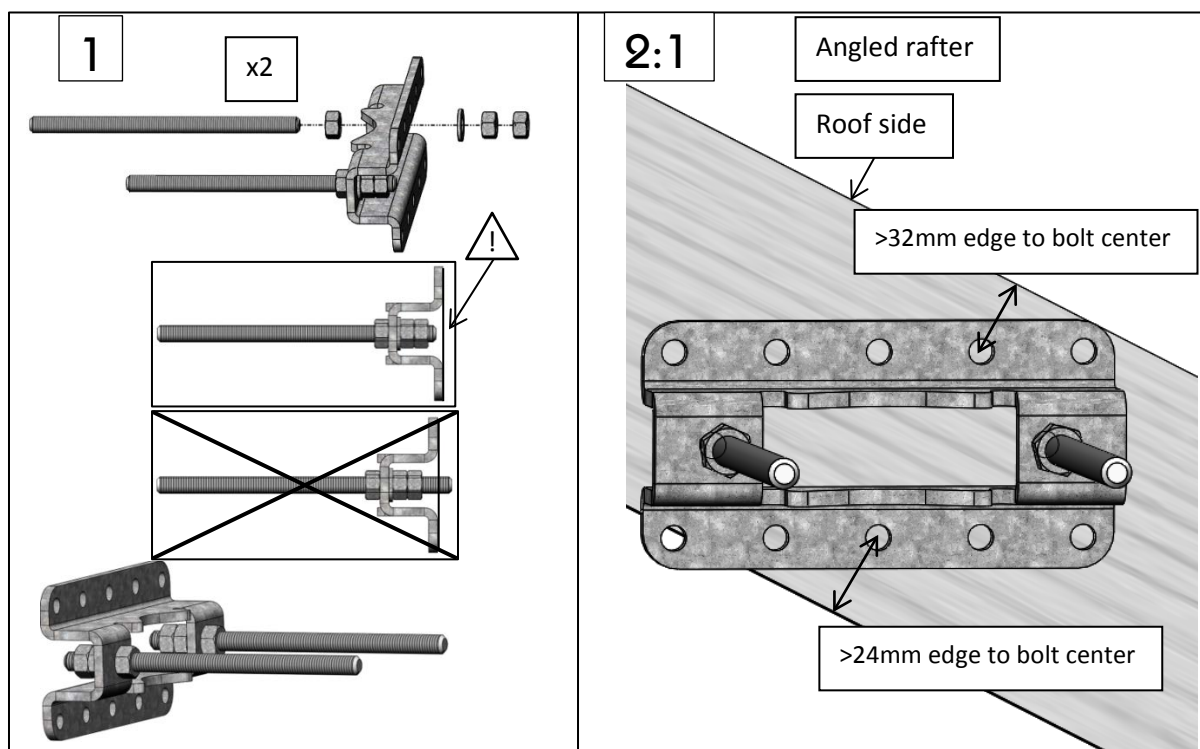
Package content



| ITEM NO. | QTY. | Description |
|----------|------|----------------------------|
| 1 | 2 | Rafter Bracket |
| 2 | 2 | Clamp C-C 62-145 FZV |
| 3 | 4 | Threaded rod M12x200mm FZV |
| 4 | 14 | Threaded rod M8x150mm A4 |
| 5 | 8 | Washer 13x24x2,5 |
| 6 | 14 | Washer 8,4x16x1,6 |
| 7 | 14 | M8 Washer Square 9x30x3mm |
| 8 | 20 | Nut M12 |
| 9 | 56 | Nut M8 |

The tightening torques recommended in this mounting description presupposes bolts, threaded rods and nuts in delivery state. Nuts are to be lubricated before assembly. Follow local building regulations. Edge measures suggested in this mounting description does not take any national appendixes to Eurocode into account. MAFI AB, the product manufacturer, does not warrant other than the product during mounting onto roof structures or other similar assemblies.

Mounting procedure



Mounting Description 3510

