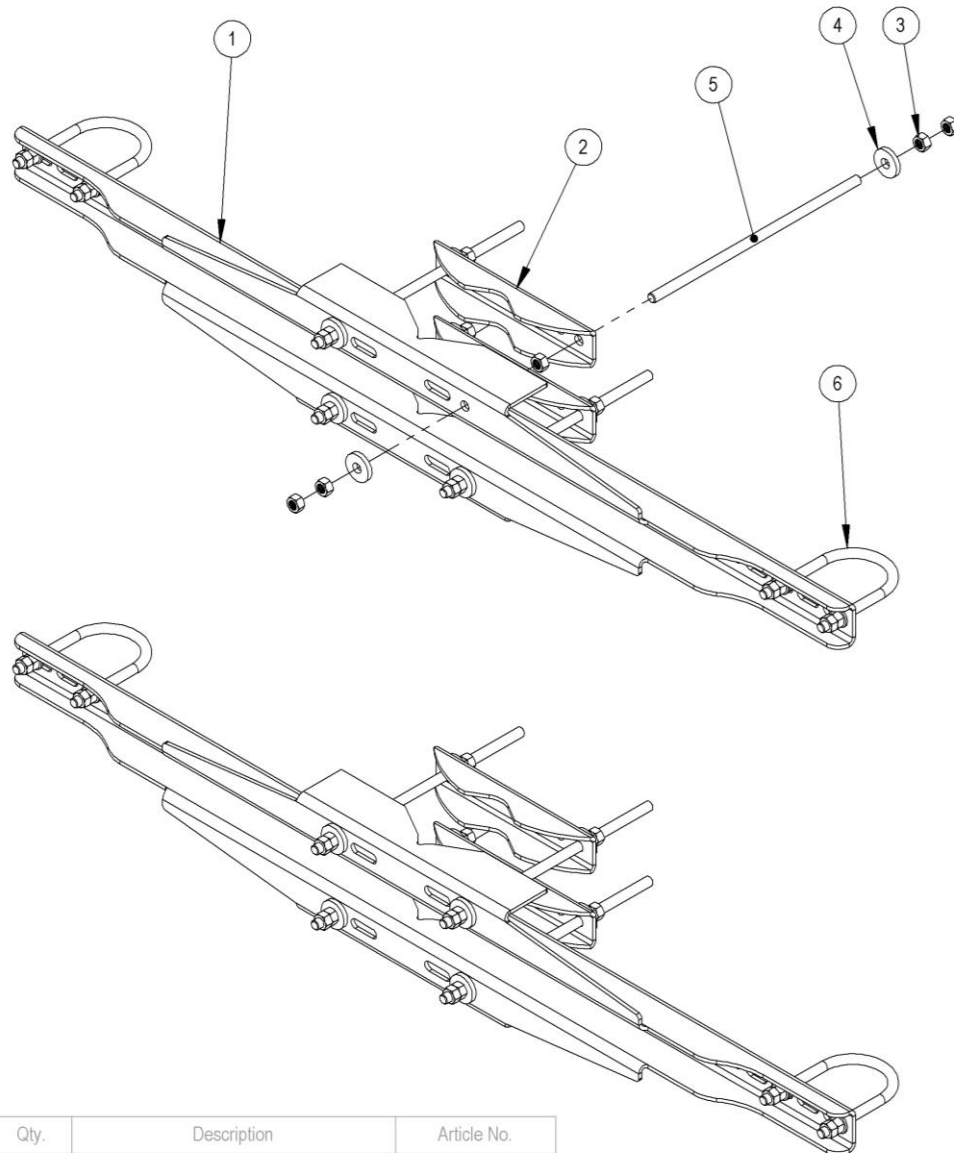


Package content MAFI 3278



Pos.	Qty.	Description	Article No.
1	2	Symmetric offset beam double clamp	32781
2	4	Clamp FZV	3397
3	40	Nut M12	9293
4	16	Washer 13 x 36 x 6	9590
5	8	Threaded rod M12 x 330	23131
6	4	U-bolt kit M12 x 91 C-C 92 Type A	2801-1

ISO standard tools (Not included):
 Wrench: M12
 Torque wrench: M12: 31 Nm

Follow local building regulations and instructions and ensure use of approved fasteners. MAFI AB, the product manufacturer, does not warrant other than the product during mounting onto roof or other similar assemblies.

The tightening torques recommended in this mounting description presupposes bolts and nuts in delivery state. Nuts are to be lubricated before assembling. Check that the supporting structure can safely carry the loads applied to it by the MAFI product.

Mounting procedure

