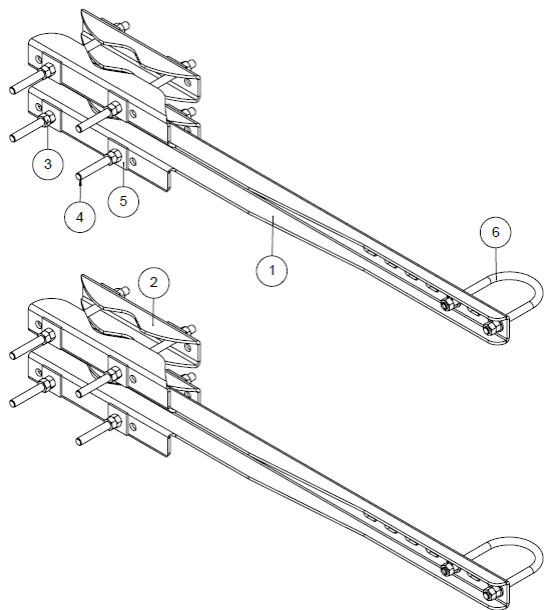


Mounting Description Offset kit

Package content



ITEM NO.	Default/QTY.	Description
1	2	Offset arm 800
2	4	Clamp FZV
3	40	Nut M12
4	8	Threaded rod M12x330
5	16	Square washer M12 Ø14 40x40x4 FZV
6	2	U-bolt M12 C-C 92mm, Nuts and washers

Mounting procedure

