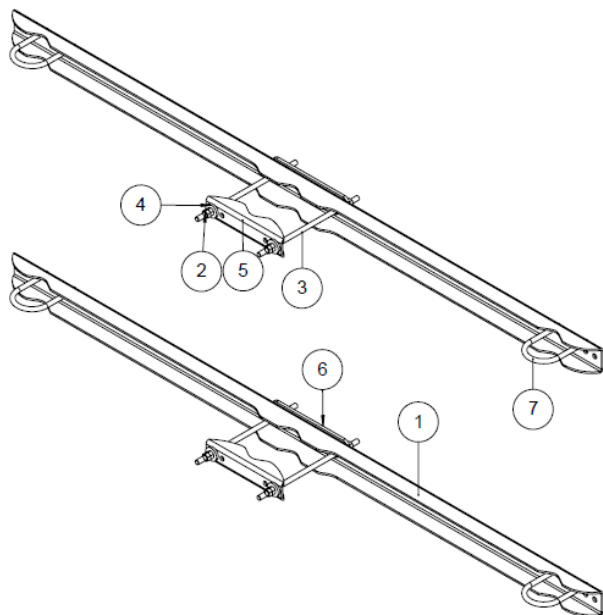


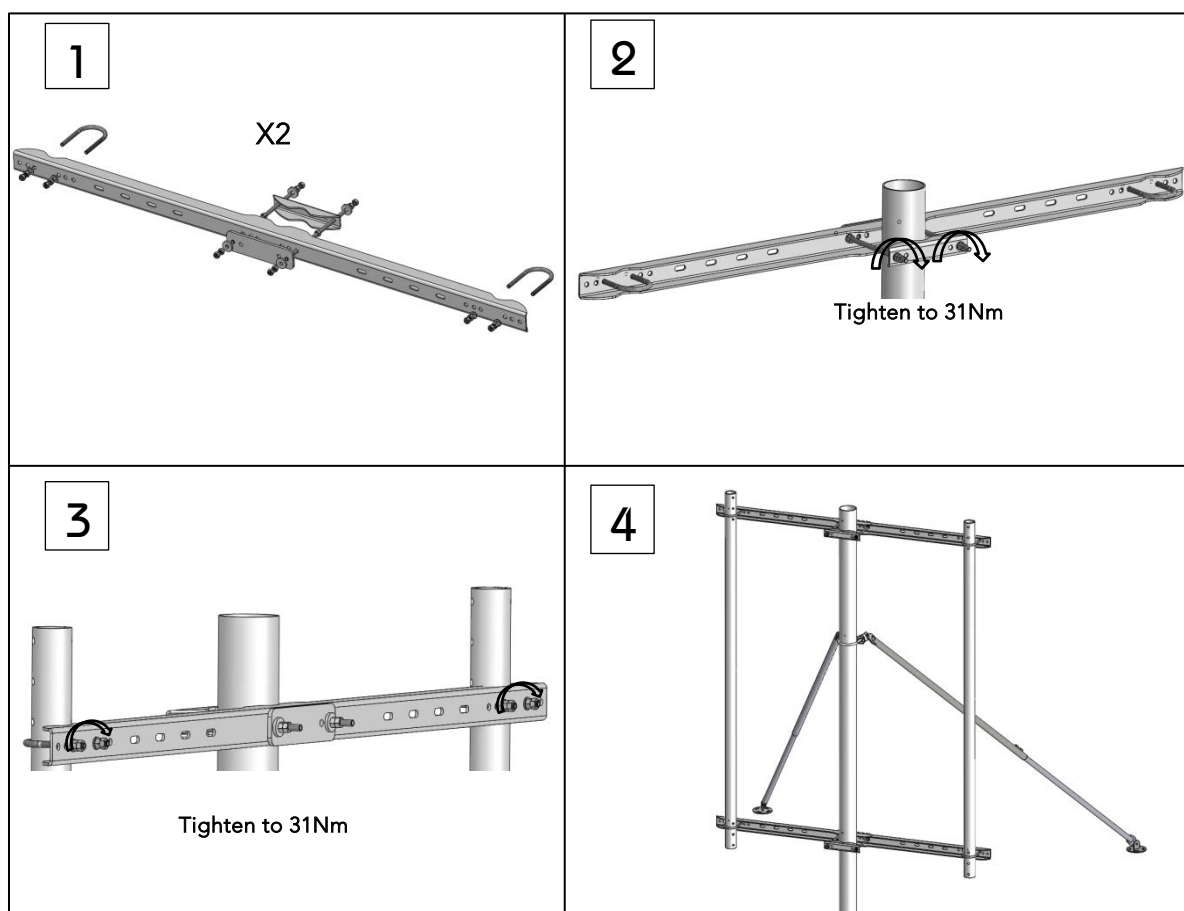
Mounting Description Offset kit

Package content



ITEM NO.	QTY.	Description
1	2	U-beam
2	20	Nut M12
3	4	Whole threaded rod M12X330 8.8 FZV
4	8	Washer 13x36x6
5	2	Clamp FZV
6	2	Back plate
7	4	U-bolt M12 C-C 92mm, Nuts and washers

Mounting procedure



The tightening torques recommended in this mounting description presupposes bolts, threaded rods and nuts in delivery state. Nuts are to be lubricated before assembly.