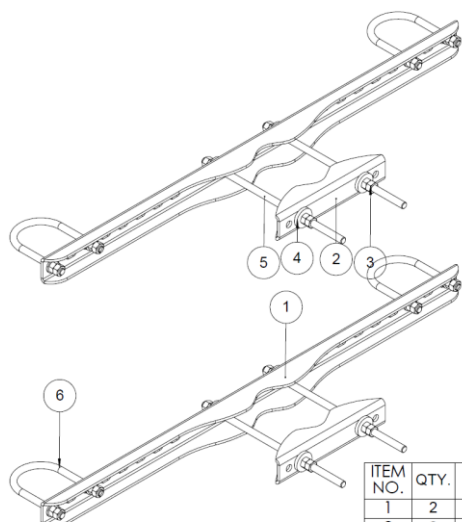


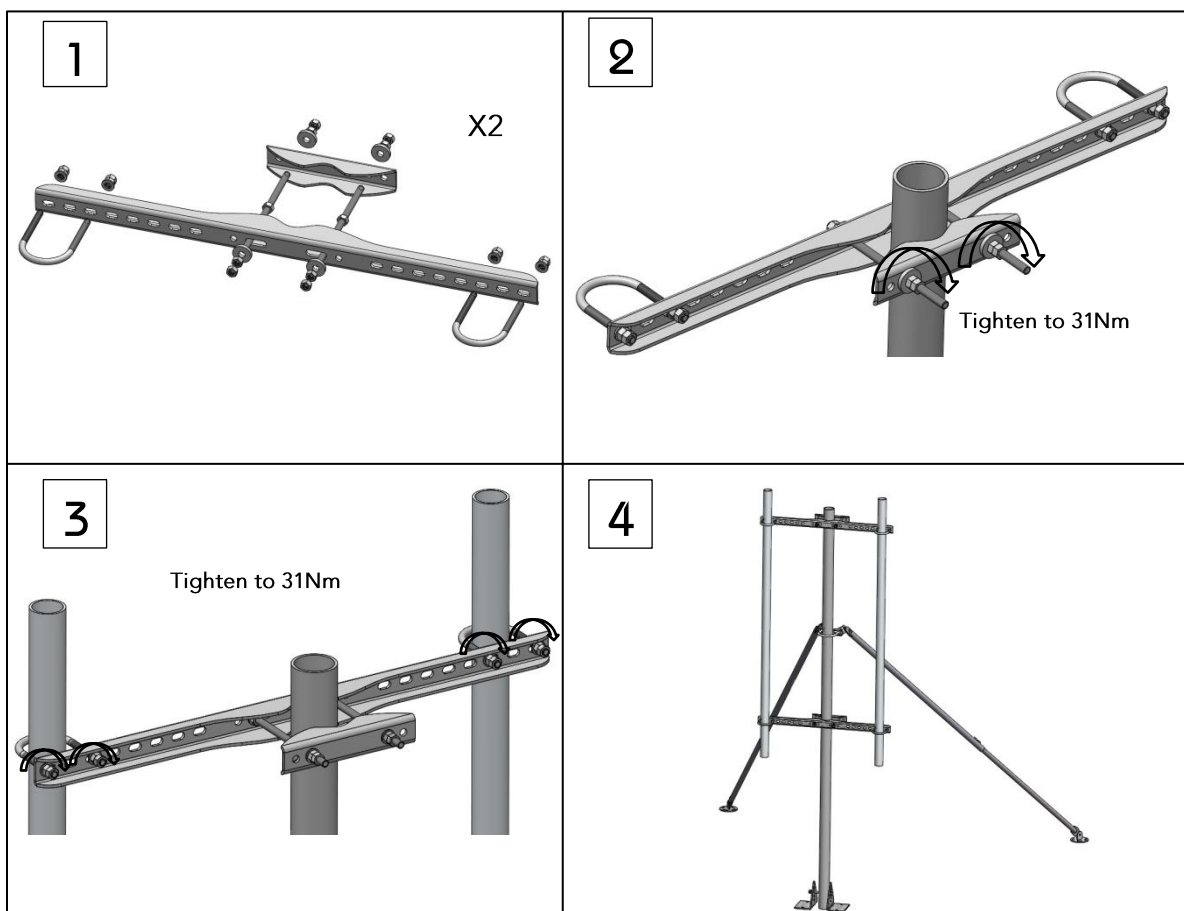
Mounting Description Symmetric Offset kit

Package content



ITEM NO.	QTY.	Description
1	2	Symmetric offset beam
2	2	Clamp FZV
3	20	Nut M12
4	8	Washer 13x36x6
5	4	Threaded rod M12x330
6	4	U-bolt M12 C-C 92mm, Nuts and washers

Mounting procedure



The tightening torques recommended in this mounting description presupposes bolts, threaded rods and nuts in delivery state. Nuts are to be lubricated before assembly.