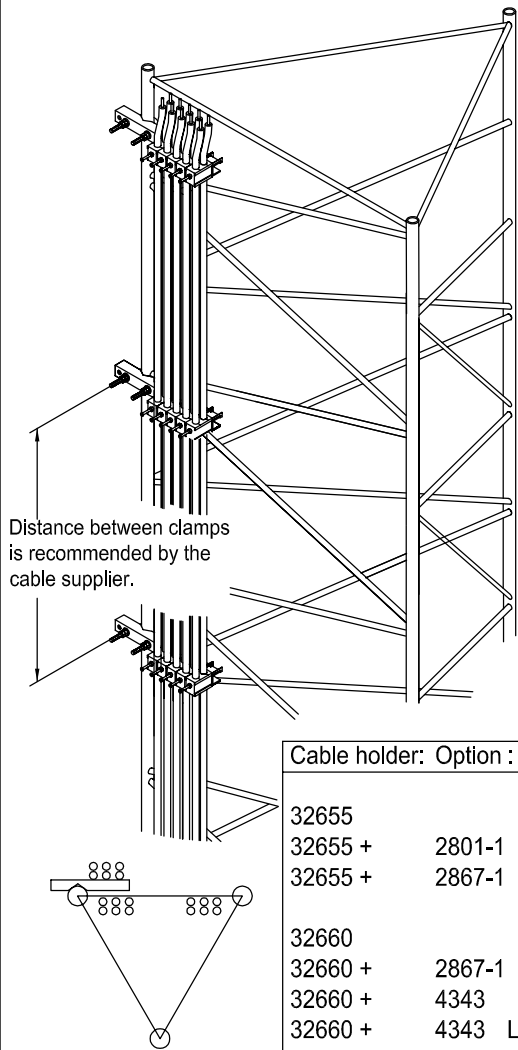


MAFI 32655/32660

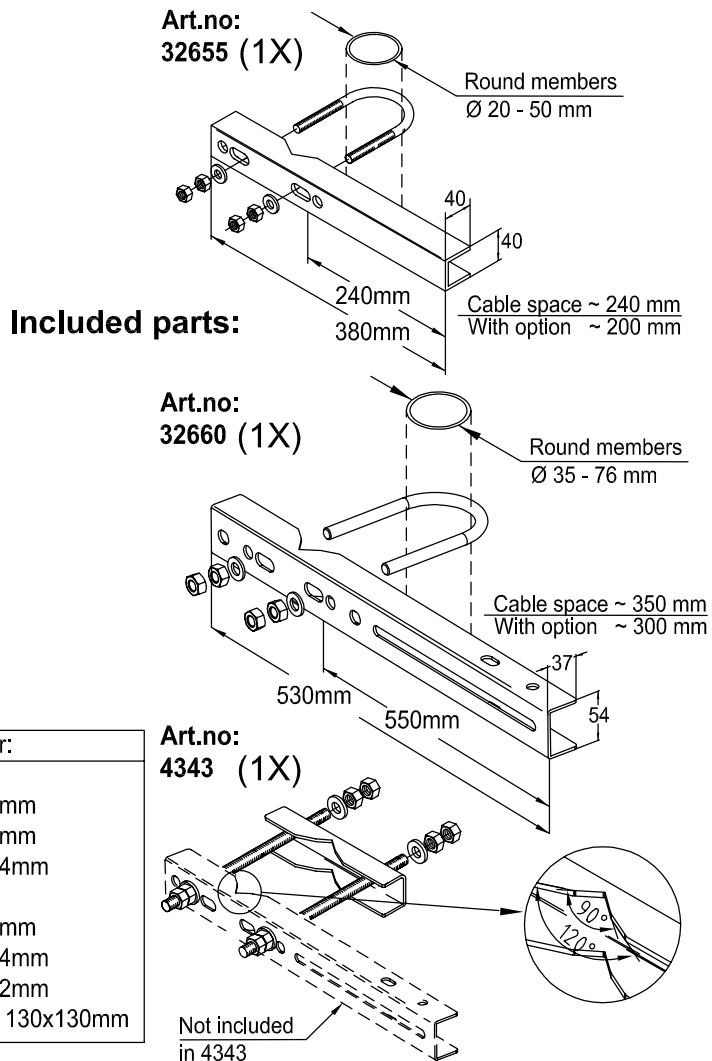
CABLE HOLDER SYSTEM

The product is designed to meet the demands of a easy to use cable holder system. The installation is fast and simple.

The cable holder can be mounted on mast with
Round members Ø 20-192 mm and L-profiles 60x60-130x130mm.



Cable holder:	Option :	Member:
32655		Ø20-50mm
32655 +	2801-1	Ø40-76mm
32655 +	2867-1	Ø89-114mm
32660		Ø35-76mm
32660 +	2867-1	Ø89-114mm
32660 +	4343	Ø76-192mm
32660 +	4343	L-prof. 60x60 - 130x130mm



TECHNICAL SPECIFICATION

PRODUCTS:	DIMENSION:	MATERIAL:
Clamps		High strength steel.
U-bolts kit	M12	SS 2343 (A4) and hot dip galvanized.

Installation instructions are always provided.

Weight	
32660	1,8 kg
32655	1,3 kg



Installation equipment (not included).

OPTIONS:

- 1) Art.no: 2801-1, C-C 92mm U-bolt kit with washer and nut, fits 32655
- 2) Art.no: 2867-1, C-C 130mm U-bolt kit with washer and nut, fits 32655/32660.
- 3) Art.no: 4343, Clamp kit with whole threaded rod, washer & nut fits 32660 for round members and L-profiles.

HOW TO ORDER:

Contact MAFI AB and give us the Article no. MAFI 32655 or MAFI 32660.
Price information see price list or www.mafi.se.