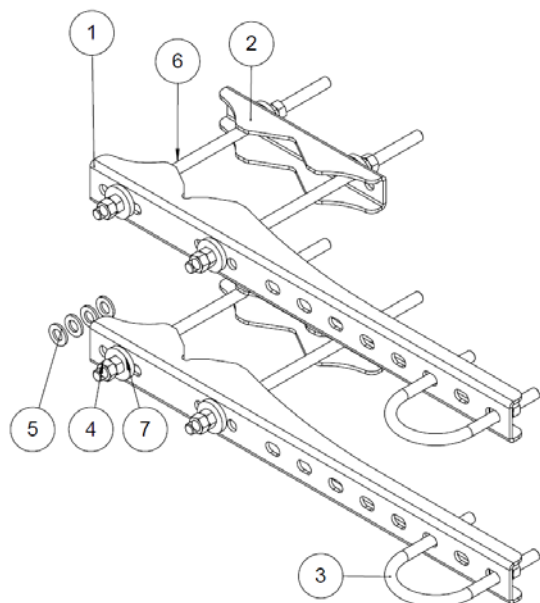


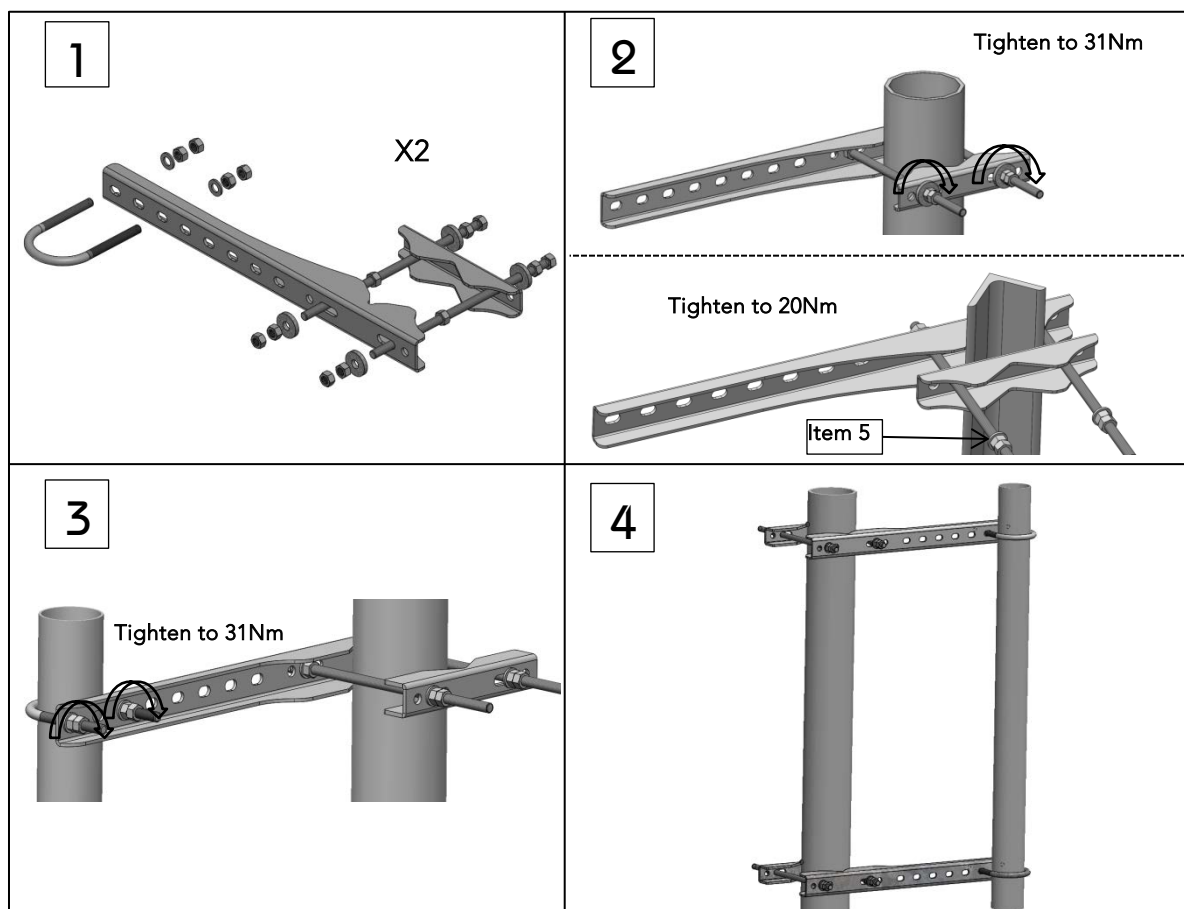
# Mounting Description Offset kit

## Package content



ITEM NO.	QTY.	Description
1	2	Offset beam
2	2	Clamp
3	2	U-bolt M12 C-C 92mm, Nuts and washers
4	20	Nut M12
5	4	Washer 13x24x2,5
6	4	Threaded rod M12x330
7	8	Washer 13x36x6

## Mounting procedure



The tightening torques recommended in this mounting description presupposes bolts, threaded rods and nuts in delivery state. Nuts are to be lubricated before assembly.