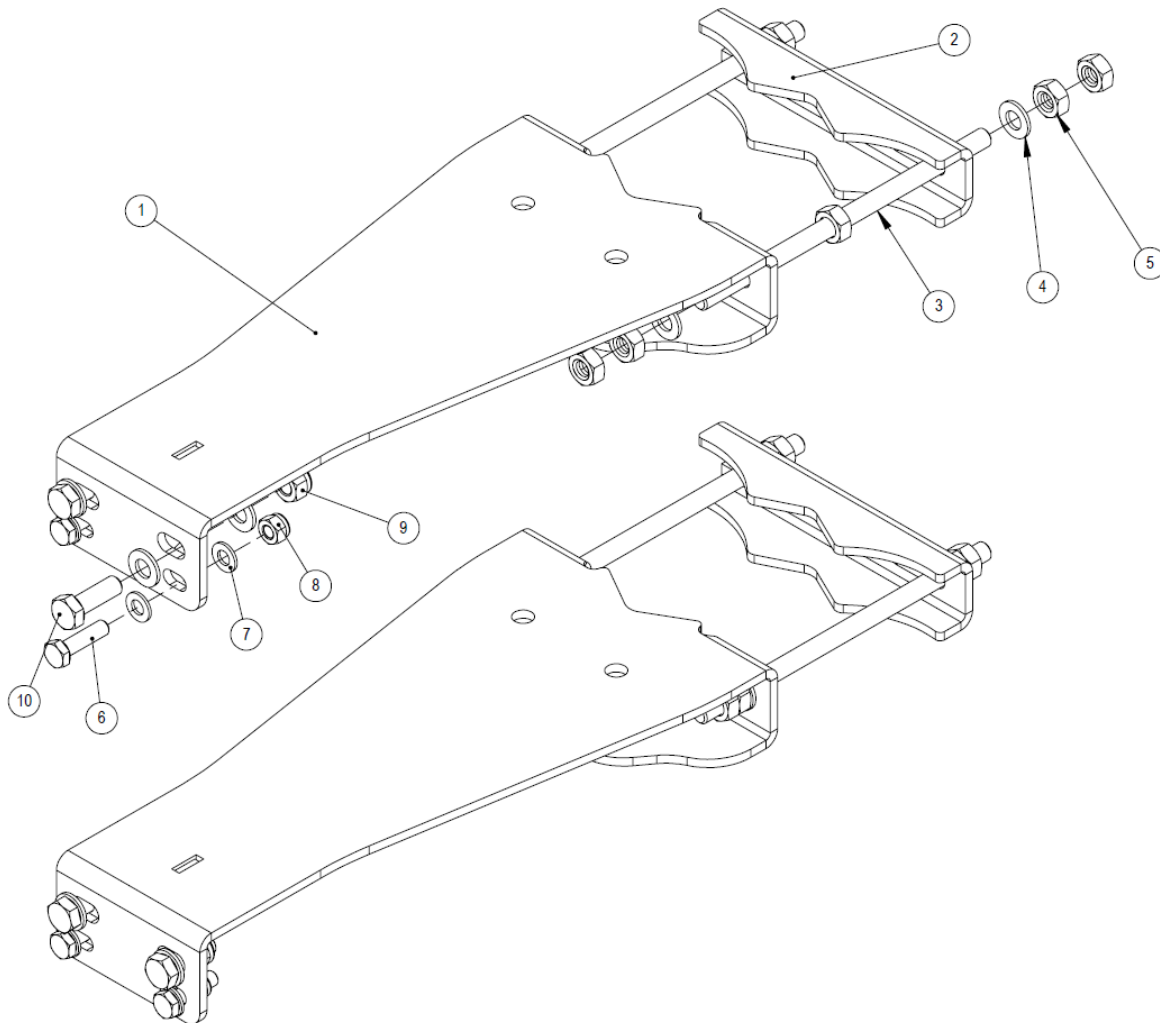


## Package content MAFI 3124



Pos.	Qty.	Description	Article No.
1	2	Antenna Offset Bracket	31243
2	2	Clamp	4030
3	4	Threaded rod M10 x 200	33817
4	16	Washer 10.5 x 20 x 2	9608
5	20	Nut M10	9444
6	4	Bolt M8 x 30H	9736
7	8	Washer 8.4 x 16 x 1.6	150047
8	4	Locking nut M8	9749
9	4	Locking nut M10	9607
10	4	Bolt M10 x 30H	9599

ISO standard tools (Not included):  
 Wrench: M8, M10  
 Torque wrench: M8: 24 Nm  
 M10: 26-47 Nm

Follow local building regulations and instructions and ensure use of approved fasteners. MAFI Group, the product manufacturer, does not warrant other than the product during mounting onto tubes or other similar assemblies.

The tightening torques recommended in this mounting description presupposes bolts and nuts in delivery state. Nuts are to be lubricated before assembling. Check that the supporting structure can safely carry the loads applied to it by the MAFI product.

Mounting procedure

**1**

Tighten 26 Nm

**2**

Step (1-2) x2

**3** x2

Tightening torque according to manufacturer's specification or maximum 47Nm for M10 and 24 Nm for M8

M10		Max 47 N m
M8		Max 24 N m

For other hole patterns check adaptor option **MAFI 31223**

