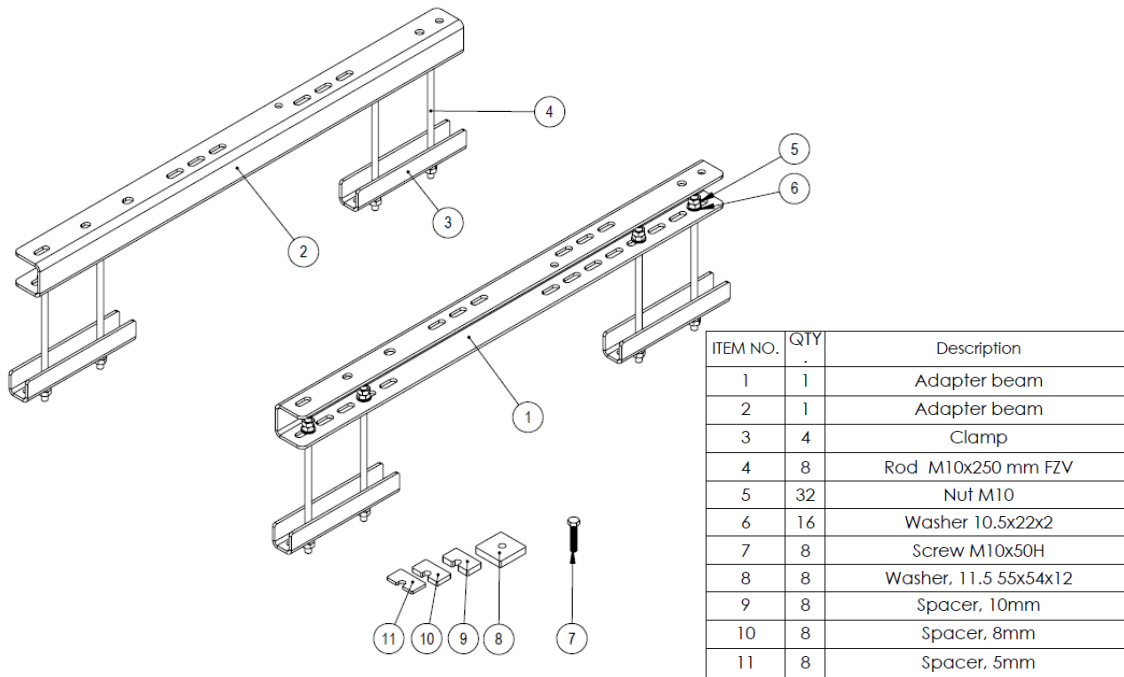


Mounting Description Adaptor beam for pole/enclosure



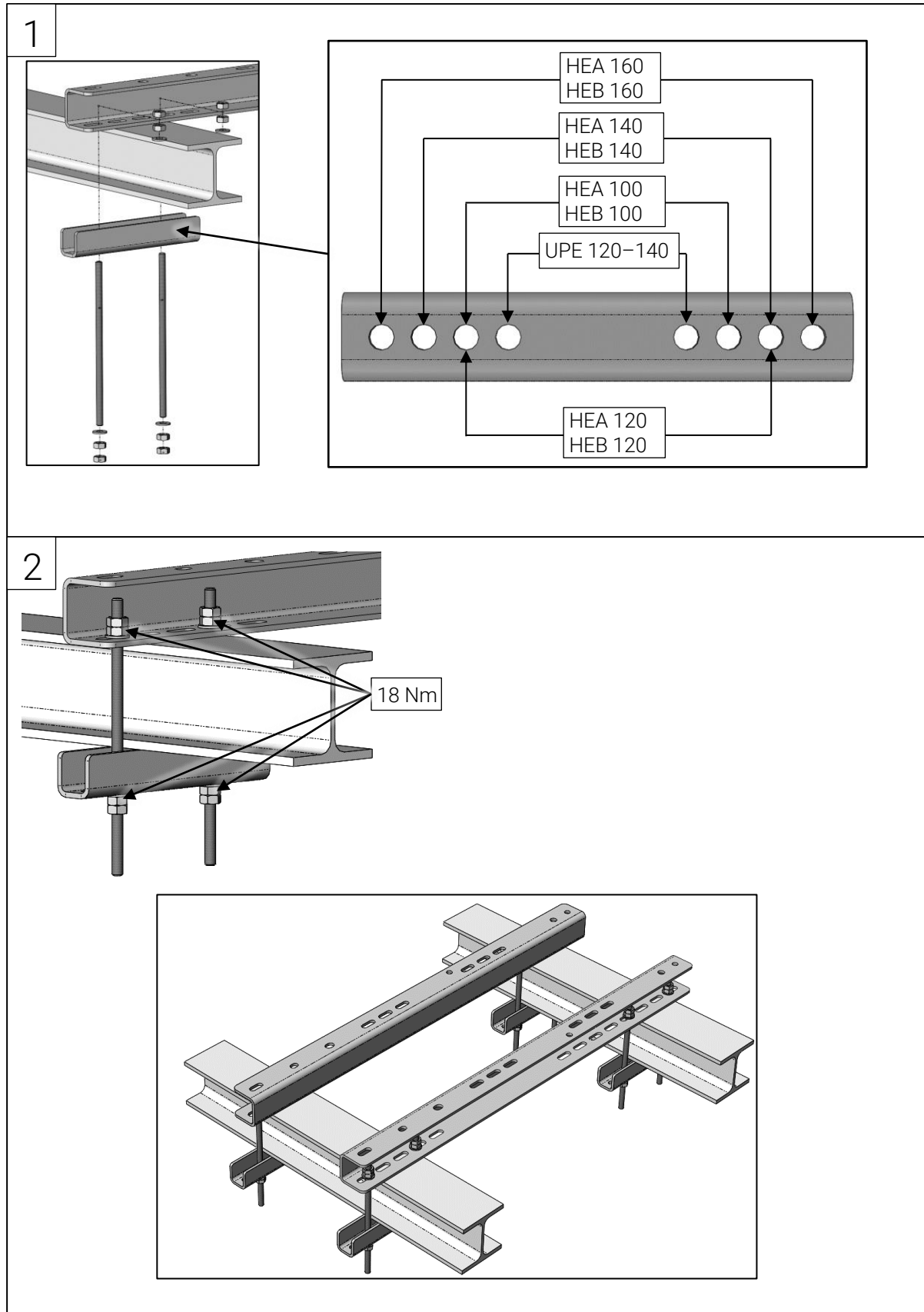
Package content SXA 129 7642/1 (MAFI 3022)



Mounting procedure







1	Equipment	X mm	Front
	6130	550 mm	A
	6147	1000 mm	A
	6148	550 mm	A
	6150	740 mm	A
	Delta MMC M4	516 mm	B
	Outdoor Delta Power System "Leni" (ODPS 2900-48-3 1.8M)	575 mm	B
	SXA 129 7643/1	270 mm	A or B

Mounting procedure with clamps

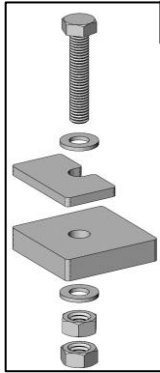


Mounting procedure with spacers

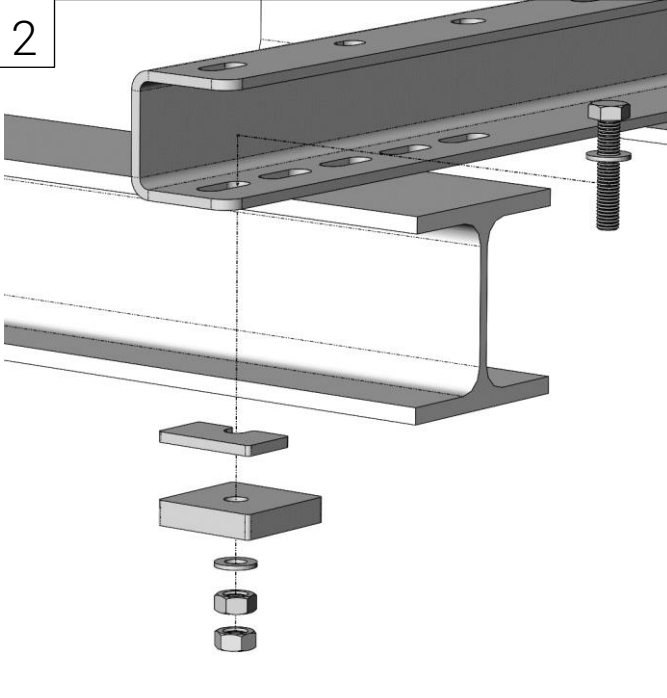
1

Spacer	Profile
 5 mm	HEA 100-160 
 8 mm	HEB 100-120 
 10 mm	HEB 140-160 

X 8

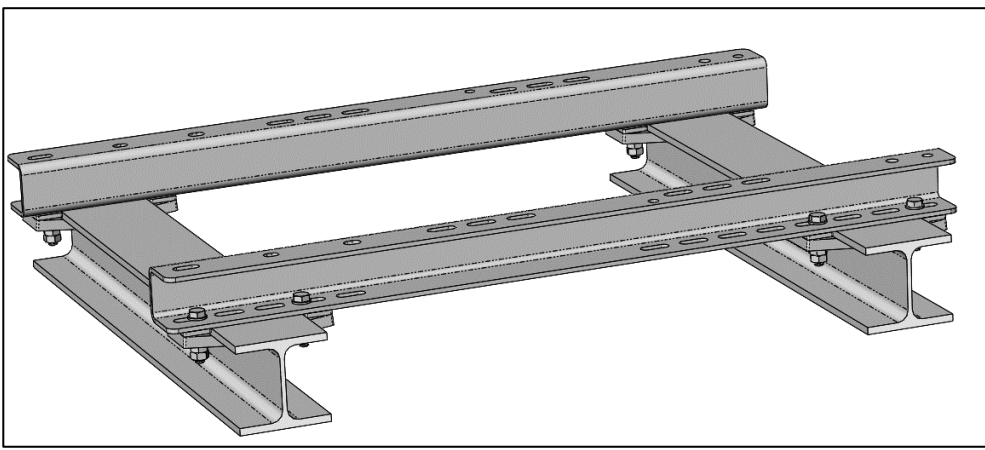


2

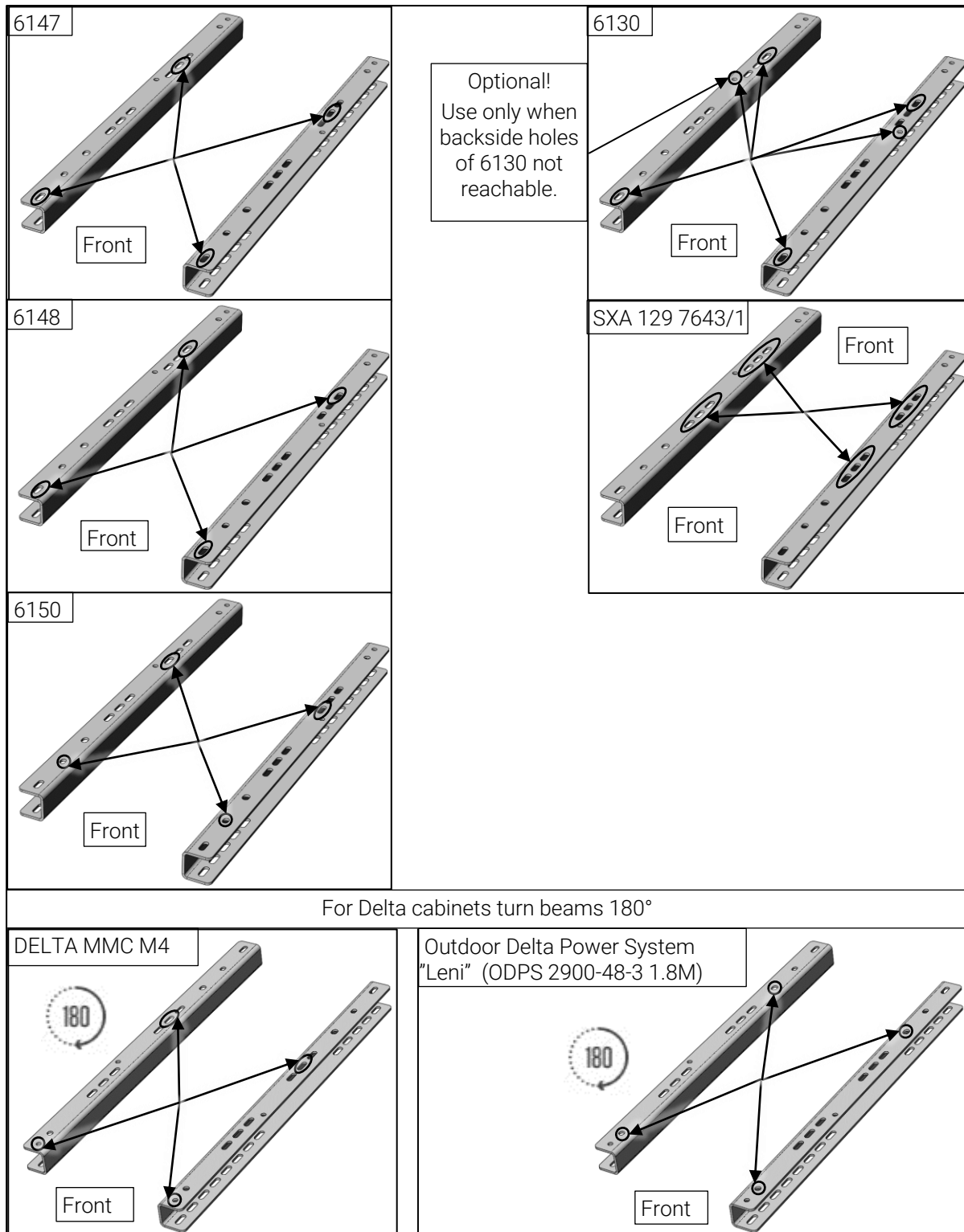


X 8

26 Nm



Mounting procedure placing enclosures



Follow local building regulations.

The tightening torques recommended in this mounting description presupposes bolts, threaded rods and nuts in delivery state. Nuts are to be lubricated before assembly. Check that the supporting structure can safely carry the loads applied to it by the MAFI product.