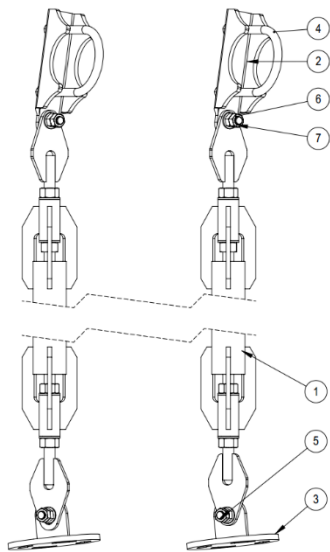


# Mounting Description 2230\_family

## Package content

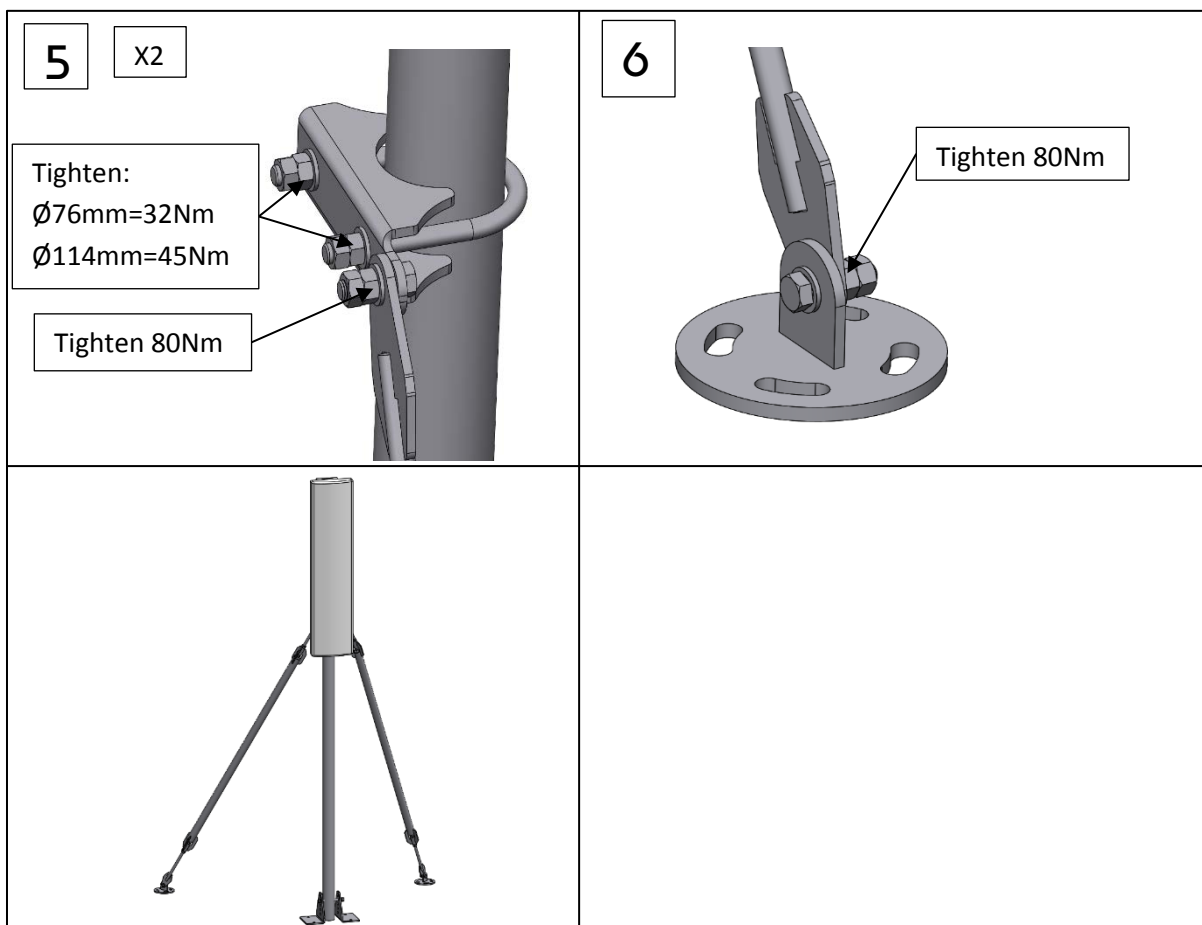


| Pos | QTY. | Description                  |
|-----|------|------------------------------|
| 1   | 2    | Strut                        |
| 2   | 2    | Strut Clamp                  |
| 3   | 2    | Foot for strut               |
| 4   | 2    | U-bolt M12, Nuts and washers |
| 5   | 8    | Nut M12                      |
| 6   | 4    | Bolt M12x40                  |
| 7   | 8    | Washer 13x24x2,5             |

## Mounting procedure

|   |   |
|---|---|
| <p><b>1</b> X2</p>  | <p><b>2</b> X2</p>                              |
| <p><b>3</b></p> <p>Attach to wanted structure in a suitable way for the specific case</p> | <p><b>4</b></p> <p>Tighten 100 Nm</p> <p>X4</p> |

# Mounting Description 2230\_family



The tightening torques recommended in this mounting description presupposes bolts, threaded rods and nuts in delivery state. Nuts are to be lubricated before assembly.

 Follow local building regulations. MAFI AB, the product manufacturer, does not warrant other than the product during mounting onto roof or other similar assemblies.