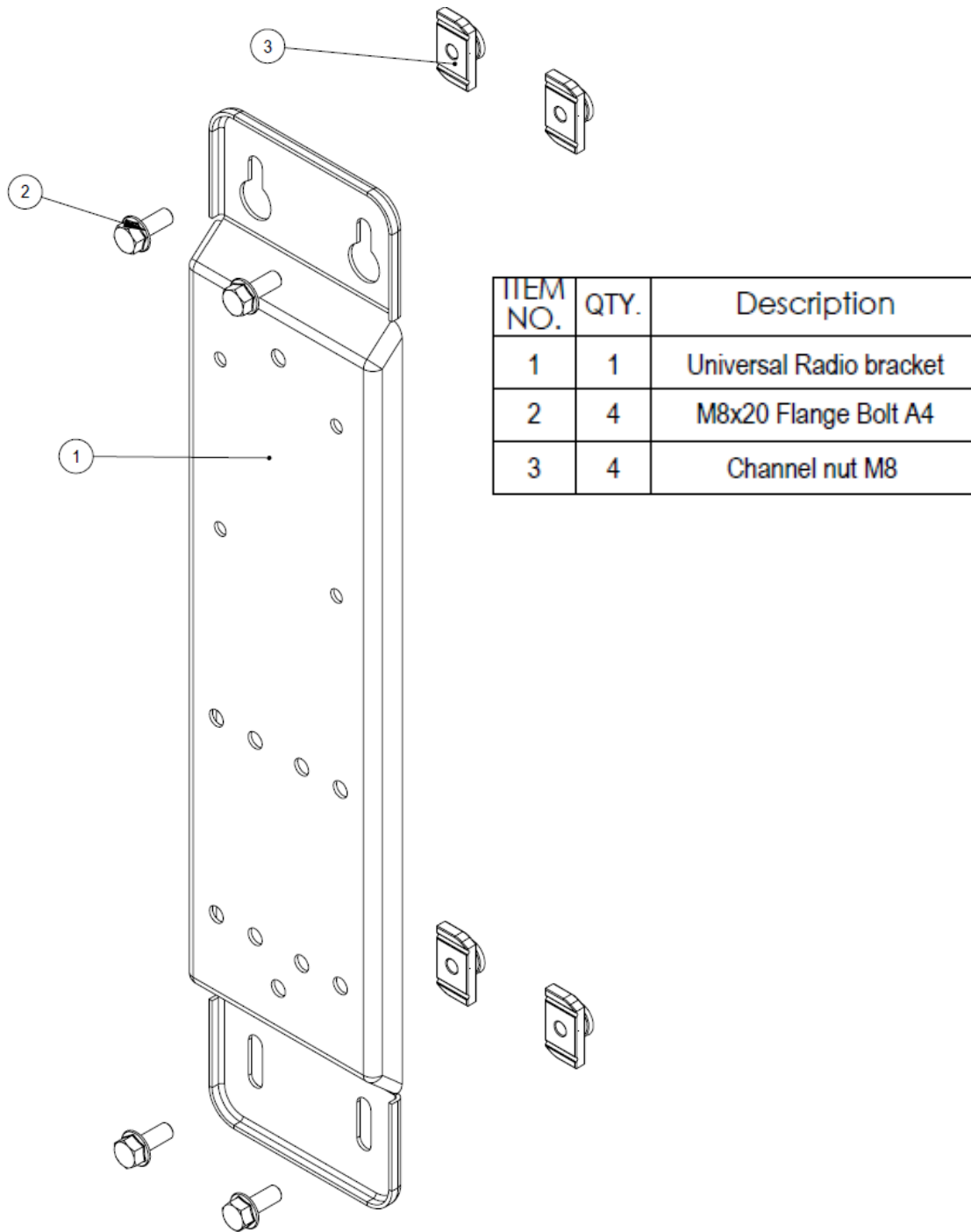


Package content MAFI 1242



Follow local building regulations and instructions and ensure use of approved fasteners. MAFI AB, the product manufacturer, does not warrant other than the product during mounting onto roof or other similar assemblies.

The tightening torques recommended in this mounting description presupposes bolts, threaded rods and nuts in delivery state. Nuts are to be lubricated before assembly. Check that the supporting structure can safely carry the loads applied to it by the MAFI product.

Mounting procedure

